

Quality Dental Services Corporation

Dental Handpiece Repair Parts and Precision Bearings

2008-2009 CATALOG

www.qualitydentalservices.com

Wholesale Prices

Quality Products

26 Years in Business

Distributor of NHBB Bearings

High and Low Speed Handpieces

Replacement Cartridges

We carry a complete line of handpiece repair parts, bearings and replacement products

Spindles and Chucks

Handpiece Repair Parts

Handpiece Repair Tools

Handpiece Lubricants



**Call: (800) 543-4408
or (805) 483-5700**

1681 Beacon Pl. Oxnard, CA 93033 Fax: (800) 784-7804 -(805) 483-5880



Quality Dental Services Corporation

1681 Beacon Pl. Oxnard, CA 93033

(800) 543-4408 or (805) 483-5700

June 1, 2008

Dear valued customer,

Please find enclosed our 2008 **Quality Dental Services Handpiece Replacement Parts and Tools Price List**. Note, that it is very comprehensive and detailed to help you select the necessary parts and tools to recondition your customers' handpieces.

Due to volume purchasing from our vendors, we have been able to lower our costs and pass the savings on to you.

We supply only the highest quality parts and bearings for the repair of high speed and low speed handpieces. All of our parts, tools, and bearings are manufactured in the U.S.A. Our bearings are of the highest standards and quality. In fact, they have been used for years by major dental handpiece manufacturers.

We appreciate your continued business and will do everything possible to provide you with the best service and quality available. Please call our toll free telephone number or fax us toll free.

(800) 543-4408

Fax (800) 784-7804

We are here to inventory the products in order to help keep your costs down.

Quality Dental Services



Table of Contents

Table with two columns: Item Name and Page Number. Includes sections for High Speed Parts, Lubricants, Slow Speeds, Handpiece Repair Tools, and Handpieces Adaptors.



Quality Dental Services Corp.

Credit Application and Agreement

I agree to pay my account in accordance with Quality Dental Services, Inc., regular terms which are stated on the invoice. In the event any balance is not paid within the terms stated (net 30 days from the ship date), a possible delinquent charge of 1.5% per month will be assessed on the outstanding balance. Should it become necessary to place the account for collections, applicant further agrees to pay all actual costs of collection including actual attorney's fees whether of not litigation is commenced or prosecuted to the final judgment. Parties hereby agree that if any suit is brought to enforce any part of terms of sale as stated on invoice, venue of said suit for action shall be in the appropriate trial court of the County of Ventura, State of California.

In the event I/we sell, transfer, or change ownership of legal structure of our business, I/we agree to provide written notice thereof delivered to the corporate credit department of Quality Dental Services, Inc., which notice must actually be received. Until we provide such notice, I/we agree to be liable for all purchases made on the account established in our name. I/we hereby authorize Quality Dental Services, Inc. to whom this application is made to investigate the references listed pertaining to my/our credit and financial responsibility.

APPLICANT'S SIGNATURE ATTESTS TO FINANCIAL RESPONSIBILITY, ABILITY, AND WILLINGNESS TO PAY OUR INVOICE IN ACCORDANCE WITH ABOVE TERMS.

Business Name

Authorized signature and title

Date

Authorized signature and title

PERSONAL GUARANTY

I, _____, for and in consideration of your extending credit to _____ do hereby agree to the above terms and conditions and assume personal responsibility for payment of all amounts which said applicant for credit has agreed to pay

Dated this _____ day of _____ 20__ Signature

Quality Dental Services
1681 Beacon Pl.
Oxnard, CA 93033
(800) 543-4408, (805) 483-5700, Fax: (805) 483-5880

PLEASE COMPLETE AND FAX
TO: QUALITY DENTAL SERVICES
CREDIT DEPARTMENT
(800) 784-7804

POSSESSION OF THIS CATALOG DOES NOT CONSTITUTE AN OFFER TO SELL

Terms of Sale: Payments are upon receipt of invoice unless other arrangements are made by Quality Dental Services Corp. All prices are subject to change without notice. All orders will be shipped C.O.D. until credit has been established. Balances not paid within 30 days of invoice are subject to a 1 1/2 % fee per month additional charge.

Please note: We accept Visa , Mastercard , American Express, and some other cards.

Order Information: There is no minimum order. Please specify: Part Number, Quantity, Description, P.O Number, Method of Shipment, and Date Required.

Shipments: All shipments are F.O.B. Oxnard, CA. U.S.A. Shortage claims must be made within 24 hours of receipt of goods. Damage claims are to be filed by the conignee to the carrier within 24 hours.

Returns: Prior approval must be obtained before any merchandise may be returned for exchange or credit. A 10% restocking charge may be applied to all returns unless they have been mis-shipped by Quality Dental Services. Return items must be shipped prepaid.

Warranty: Quality Dental Services Corp. Warrants it's products to the original purchaser against defective workmanship and materials under normal installation, use and service. All warranty claims must be sent to Quality Dental Services Corp. No other written or implied warranty exists, including warranty of merchantability or warranty fitness. **Please note, we have no control on bearings after they leave our office, therefore they are not warranted. In addition, bearings cannot be exchanged or returned.**

Prices are subject to change without notice. The price in effect at time of shipment will apply.

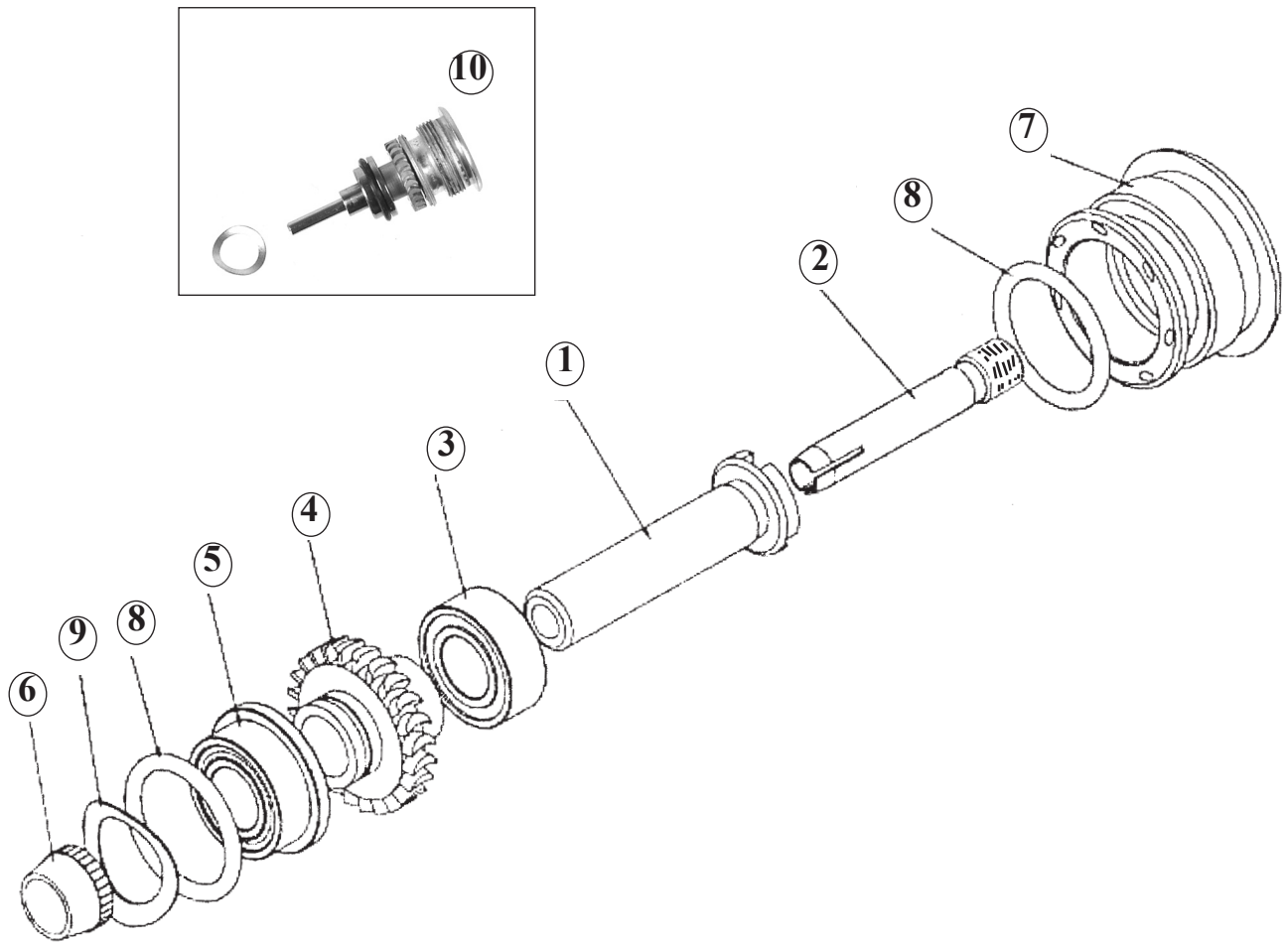
Pricing: Quality Dental Services Corp. will not be liable for failure to perform on any contract or to supply products due to strikes, acts of God, interruptions in transportation, inability to obtain supplies of raw material, product shortage, or causes beyond our control.

Force Majeure: Quality Dental sells generic aftermarket products (unless specified). No implication is made that any of these products are original factory products or that any of these companies endorse our products. Please note the following:

Product Information:

The following products are trademarks of their respective companies:
Midwest:
Quiet Air, Quiet Air L, Insight, Tradition, Tradition L, 8000/I, Rhino,
Tru-Torc I&II, Shorty I&II, Stylus
Start(DEN-TAL-EZE):
Titan, Ultra, Concentric, Vista 430 K&L, Futura I&II
Kavo:
Contact Air, Supertorque, Mira Lux
Lares, W & H/ Synca, NSK, Bien Air, Champion.

MIDWEST QUIET AIR/INSIGHT





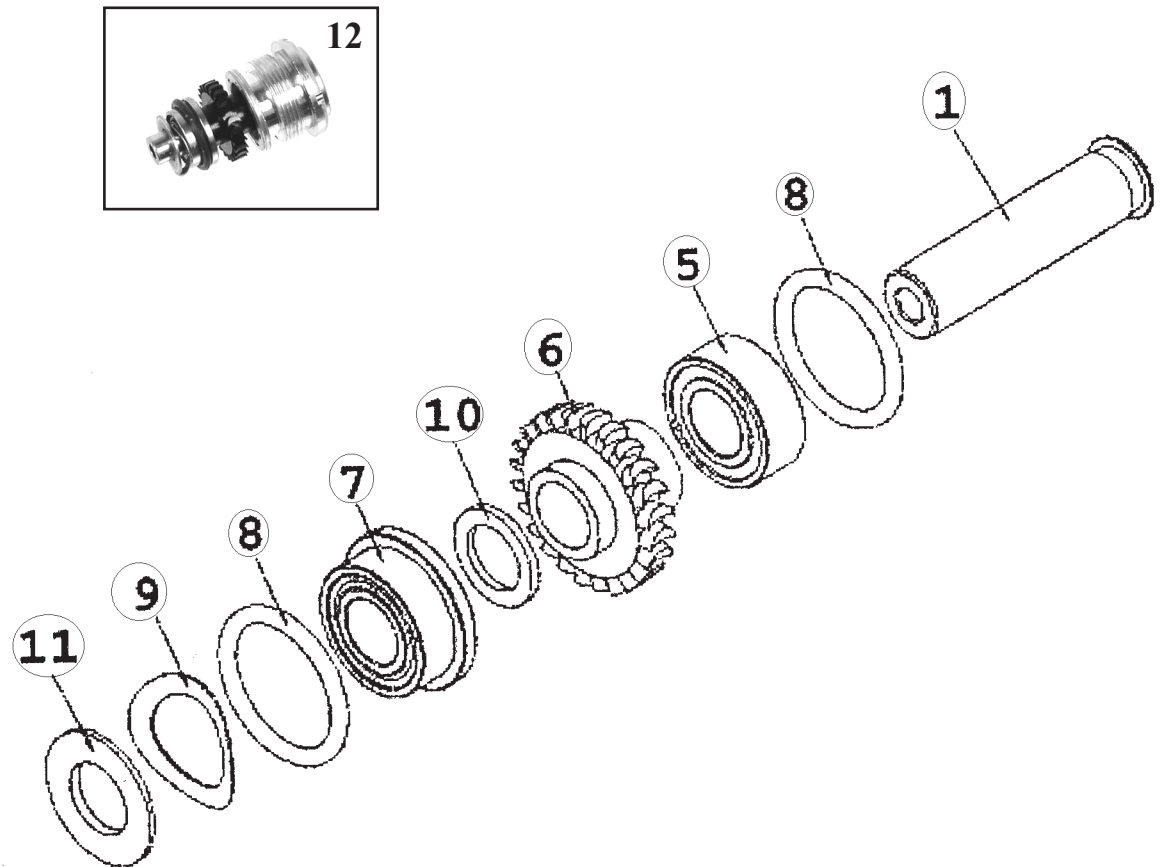
Standard Midwest Quiet Air and Insight

Price \$

Pict.	Part #	Description	1-15	16+
<u>COMPONENTS</u>				
1	40411X	Spindle without thread	5.00	4.50
1,2	40411AX	Spindle and chuck	10.00	9.00
2	40403	Chuck only	5.00	4.50
4	40412	Impeller	5.50	5.00
	40422	5 hole gasket	.40	.35
	40422A	4 hole gasket	.40	.35
	40422B	2/3 hole gasket	.55	.50
	40422C	6 hole gasket	.90	.90
9	40410	Standard spring washer	.25	.20
	40410IA	Teflon washer	1.00	1.00
9	40410-3PT	3 point washer	.20	.15
8	40407-1	Blue square O ring	.35	.30
8	40407-2	Black O ring	.35	.30
7	40408	Head cap	8.00	7.50
<u>BEARINGS</u>				
5	40405A	Angular flanged (1)	7.10	6.50
5	40405BP	Phenolic Radial flanged (1)	8.50	8.50
3	40405CP	Phenolic Radial straight bearing (1)	8.00	8.00
3,5	40405PH	Phenolic Radial Bearings sets 1 straight & 1 flanged	16.50	16.50
5	40405B	Radial Flanged (1)	6.30	6.10
3	40405C	Radial straight (1)	4.60	4.40
3	40405D	Angular straight (1)	6.80	6.60
3,5	40405	Set of bearings 1 straight radial and 1 flanged angular (2)	11.70	10.70
3,5	40405RAD	Set of 1 radial straight and 1 radial flanged bearing (2)	10.90	10.50
3,5,9,8	40406ANG	40405ANG bearings with 1x 40410,2x40407-1,2,or3	14.25	14.00
3,5,9,8	40406	40405RAD bearings with 1x 40410,2x40407-1,2,or3	11.20	10.85
<u>TURBINES (standard wrench type)</u>				
10	40404	Cartridge with radial bearings and cap	45.00	40.00
10	40404ANG	Cartridge with angular bearings and cap	48.00	45.00
<u>ACCESSORIES</u>				
	40402	Chuck wrench	5.00	4.50
	40402A	Adjustable wrench	16.50	16.50
	40404H	Handle for Quiet Air	55.00	55.00
	045	Non slip cap tool	10.75	10.75
	023A	Head expander with pilot point	69.00	69.00
	40408XGT	Cap remover	2.50	2.50
	023TAP	Thread Tap for Quiet Air	42.00	42.00



QUIET AIR /INSIGHT LEVER
TYPE/ PUSH BUTTON





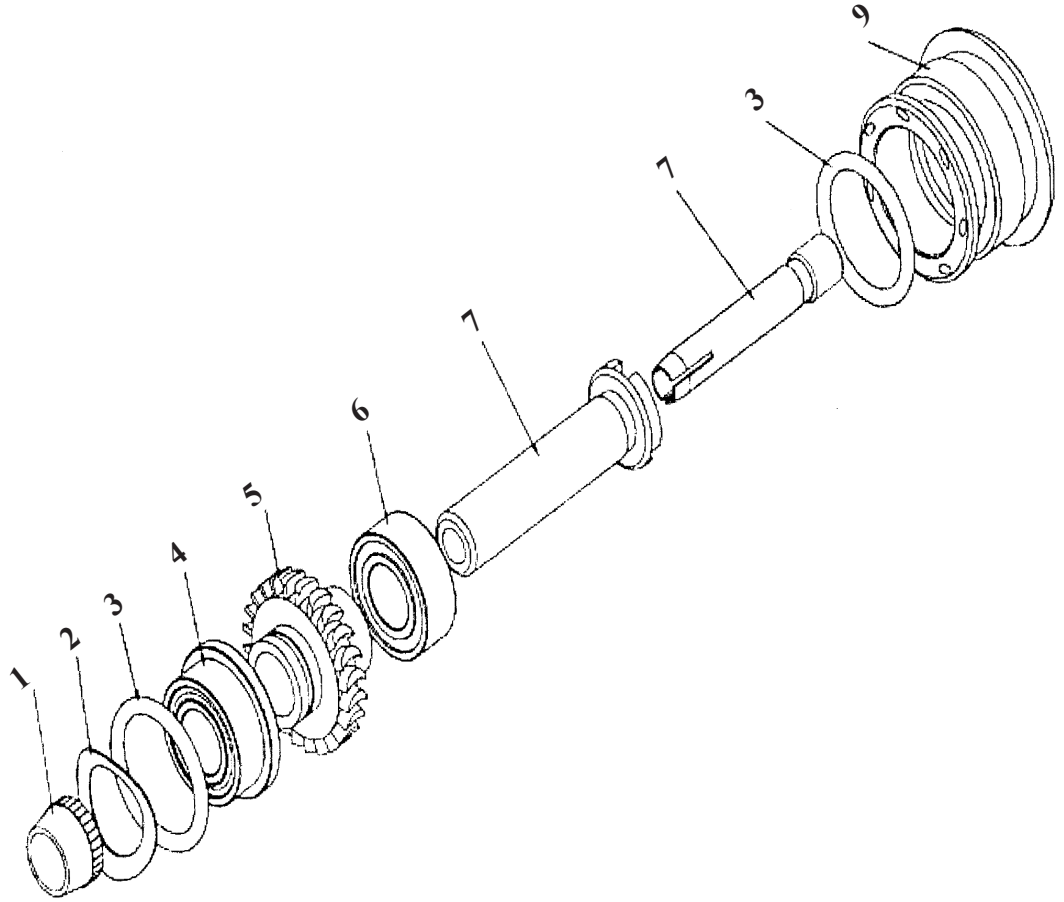
Midwest Quiet Air/ Insight Lever Type and Push Button

Price \$

Pict.	Part #	Description	1-15	16+
		<u>COMPONENTS</u>		
1,6	40411L	Spindle assembly for push button and lever with impeller	42.00	42.00
1,6	40411PBFL	Flanged spindle/chuck with impeller	51.00	51.00
1	40411PBL	Spindle /chuck only	35.00	35.00
1	40411PBFS	Push button generic spindle/chuck flanged type only	44.00	44.00
6	40412A	Impeller for push button/lever spindle only	6.00	5.75
9	40410	Spring washer	.25	.20
11	40410QA	Pressure plate	.90	.90
8	40407-1	Blue square O ring	.35	.30
8	40407-2	Black O ring	.35	.30
10	40410-B	Spacer .001	1.50	1.50
10	40410-C	Spacer .005	1.25	1.25
10	40410-D	Spacer .003	1.25	1.25
	40408L	Generic lever cap	57.00	57.00
	40422	5 hole gasket	.40	.35
	40422A	4 hole gasket	.40	.35
	40422B	2/3 hole gasket	.55	.50
	40422C	6 hole gasket	.90	.90
	40408PB	Push Button Back Cap	25.00	25.00
		<u>BEARINGS</u>		
7	40405A	Angular flanged bearing	7.10	6.50
7	40405B	Radial flanged bearing	6.30	6.10
5	40405C	Radial straight bearing	4.60	4.40
5	40405D	Angular straight bearing	6.80	6.60
5,7	40405	Set of bearings 1 straight radial and 1 flanged angular	11.70	10.70
5,7	40405RAD	Set of radial bearing 1 straight and 1 flanged	10.90	10.50
5,7	40405ANG	Set of angular bearings 1 straight and one flanged	13.90	13.45
5,7,8,9	40406	Set of 40405RAD bearings, 1x 40410, 2x40407-1,2,or 3	11.20	10.85
5,7,8,9	40406ANG	Set of 40405ANG bearings, 1x 40410,2x40407-1,2,or 3	14.25	14.00
	40405BP	Midwest Quiet Air phenolic flanged bearing	8.50	8.50
	40405CP	Midwest Quiet Air phenolic straight bearing	8.00	8.00
		<u>TURBINES</u>		
12	40404PBG	Generic push button cartridge without cap	60.00	60.00
12	40404L	OEM Cartridge	call	call
12	40404PBG C	Cartridge with angular polyimide bearings with cap	85.00	85.00
12	40404PBG P	Cartridge with radial phenolic bearings	65.00	65.00
		<u>ACCESSORIES</u>		
	40408XGT	Cap tool (universal)	2.50	2.50
	40404H	Midwest Handle	55.00	55.00
	023A	Quiet Air Head Reamer	69.00	69.00
	023TAP	Quiet Air Head Tap	42.00	42.00



MIDWEST QUIET AIR MINI





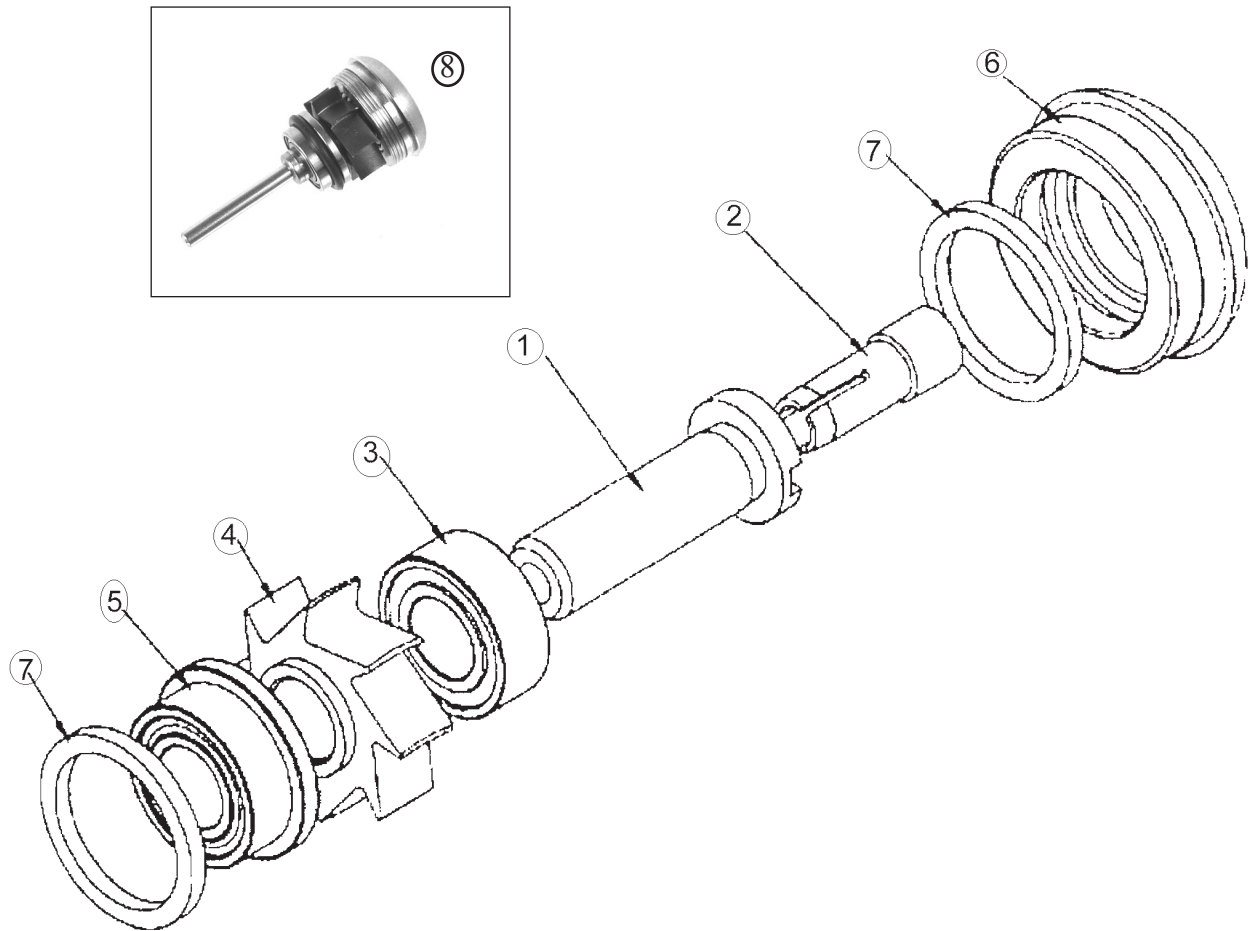
Midwest Mini Quiet Air (standard)

Price \$

Pict. Part #		Description	1-15	16+
2	40410-A	Mini spring washer	2.00	
3	40407M	Mini O rings	1.50	
5	40412M	Mini impeller	25.00	
8	40403MINI	Mini chuck	20.00	
7	40411MINI	Mini spindle	22.00	
1	40401MINI	Mini nut	8.50	
9	40408MINI	Mini back cap	35.00	
4,6	40421	Bearings for Mini (2)	20.00	
	40402MINI	Adjustable wrench	22.00	
	40404M	Complete turbine	135.50	



MIDWEST TRADITION



QUALITY DENTAL SERVICES CORP. 800 543-4408



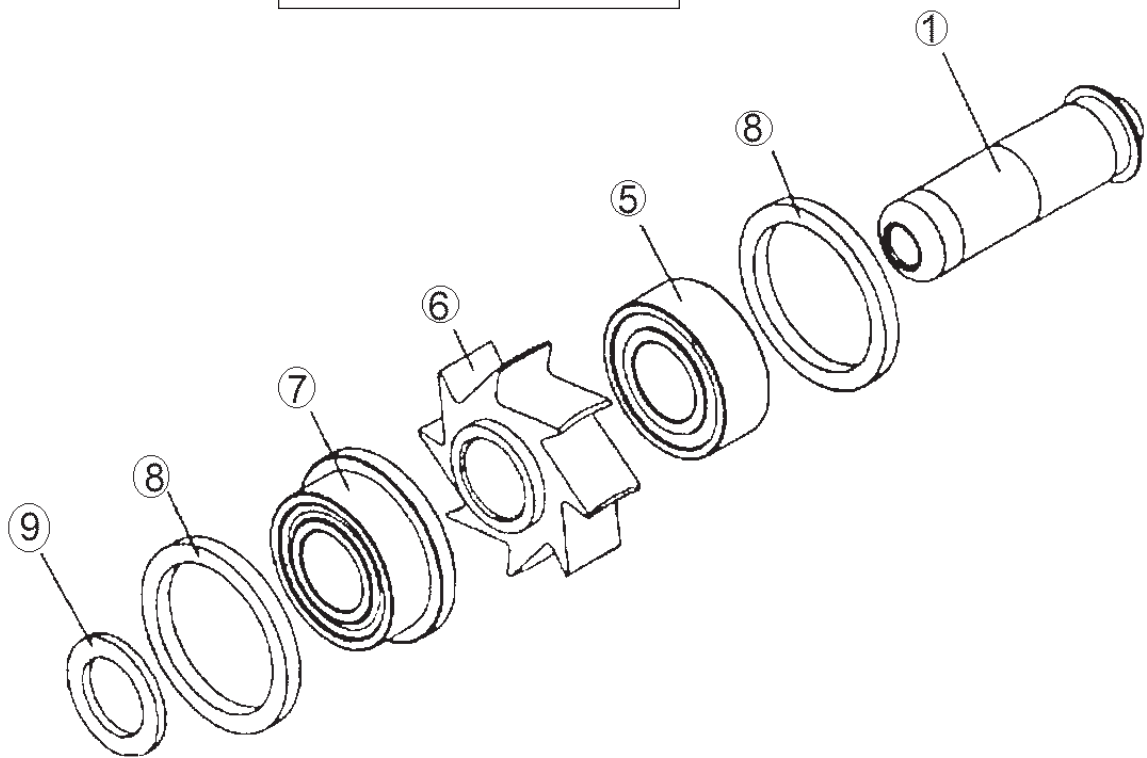
Midwest Tradition (standard) & XGT

Price \$

Pict.	Part #	Description	1-15	16+
		<u>COMPONENTS</u>		
1	40497	Spindle	5.50	5.25
1,2	40497A	Spindle and chuck	12.00	11.75
2	40416	Chuck	6.50	6.00
4	40498	Impeller	6.00	5.75
7	40407-1	Blue square O ring	.35	.30
7	40407-2	Black O ring	.35	.30
6	40415A	Head cap	5.00	4.50
	40422	5 hole gasket	.40	.35
	40422A	4 hole gasket	.40	.35
	40422B	2/3 hole gasket	.55	.50
	40422C	6 hole gasket	.90	.90
		<u>BEARINGS</u>		
5	40405A	Angular flanged polyimide bearing	7.10	6.50
5	40405B	Radial flanged polyimide bearing	6.30	6.10
3	40405C	Radial straight polyimide bearing	4.60	4.40
3	40405D	Angular straight polyimide bearing	6.80	6.60
5	40405BP	Phenolic flanged radial bearing	8.50	8.50
	40418	Set of bearings 1 radial flanged and 1 radial straight	10.90	10.50
3,5	40405CP	Radial straight phenolic bearing	8.00	8.00
3,5	40405RAD	Set of radial bearings 1 flanged and 1 straight	10.90	10.50
3,5	40418ANG	Set of angular bearings 1 flanged and 1 straight	13.90	13.45
3,5	40405PH	Set of radial phenolic bearings	16.50	16.50
3,5,7	40406T	Kit for standard Tradition (1x40418, 2x40407-1or 2)	13.00	12.75
		<u>TURBINES</u>		
8	40423	Generic cartridge with back cap radial bearings	45.00	40.00
8	40423ANG	Generic cartridge with back cap angular bearings	48.00	45.00
8	40423XGTP	Generic cartridge for XGT phenolic bearings	65.00	65.00
8	40423PB/XGT	Original Tradition XGT turbine original	140.00	140.00
		<u>ACCESSORIES</u>		
	40413	Chuck wrench	7.00	6.50
	40413A	Adjustable chuck wrench	16.50	16.50
	40408XGT	Cap tool (universal)	2.50	2.50
	023B	Head Reamer	75.00	75.00
	40415TGTX	XGT Push Button Cap	32.00	32.00



MIDWEST TRADITION LEVER TYPE/PUSH BUTTON





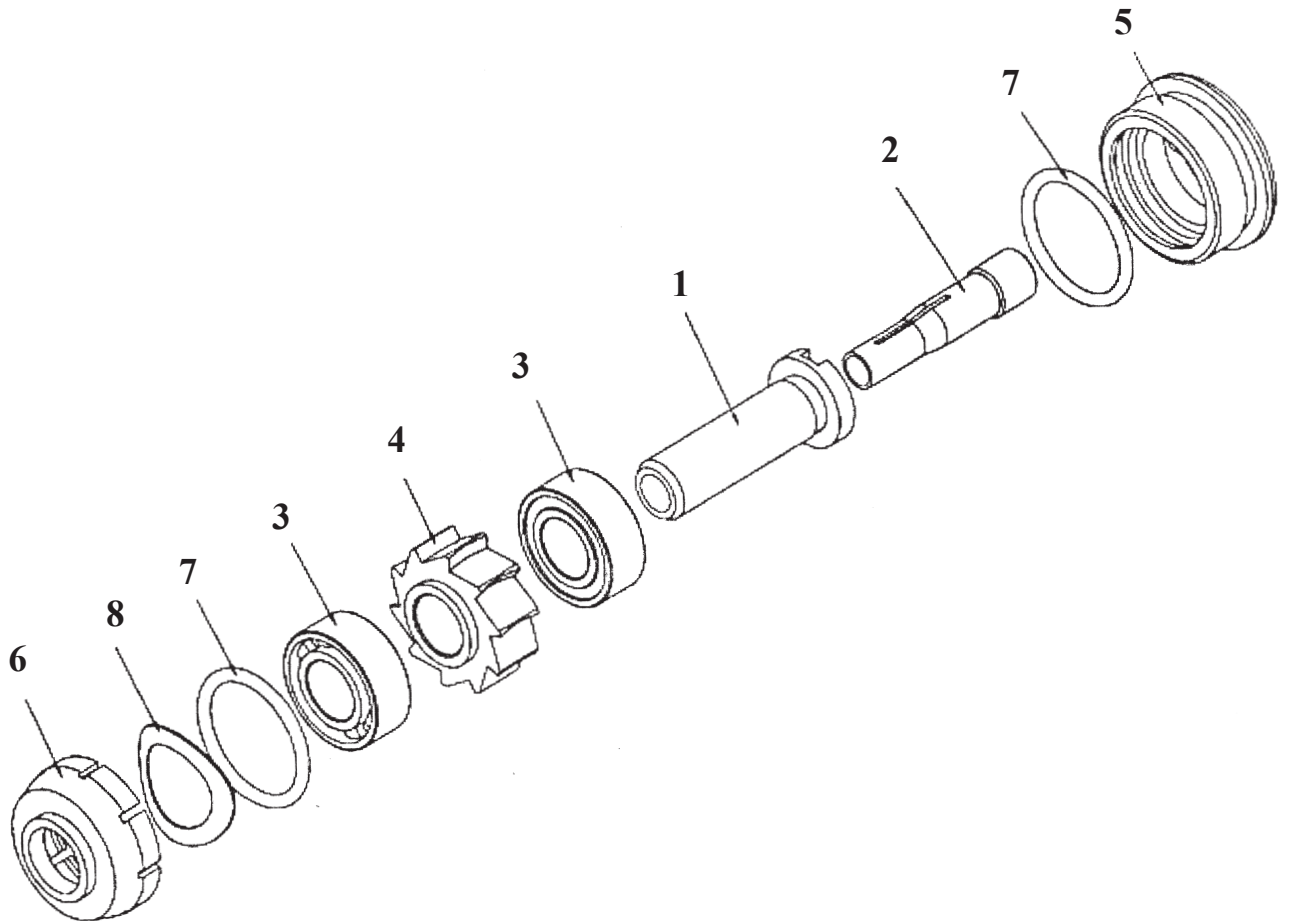
Midwest Tradition Lever Type and Push Button

Price \$

Pict.	Part #	Description	1-15	16+
		<u>COMPONENTS</u>		
1,6	40497LMT	Push button spindle chuck with impeller	39.00	39.00
1	40497PBLM	Push button spindle and chuck	35.00	35.00
	40415AL	OEM head cap for lever	57.00	57.00
	40415PB	Push Button Cap for Tradition	25.00	25.00
6	40498	Impeller	6.00	5.75
9	40410T	Pressure plate	.75	.75
8	40407-1	Blue square O ring	.35	.30
8	40407-2	Black O ring	.35	.30
	40422	5 hole gasket	.40	.35
	40422A	4 hole gasket	.40	.35
	40422B	2/3 hole gasket	.55	.50
	40422C	6 hole gasket	.90	.90
		<u>BEARINGS</u>		
7	40405A	Angular flanged bearing	7.10	6.50
7	40405B	Radial flanged bearing	6.30	6.10
5	40405C	Radial smooth bearing	4.60	4.40
5	40405D	Angular smooth bearing	6.80	6.60
5,7	40418	Set of bearings 1 smooth radial and 1 flanged angular	10.90	10.50
5,7	40418ANG	Set of angular bearing	13.90	13.45
5,7	40405PH	Set of radial phenolic bearings	16.50	16.50
5,7	40405BP	Phenolic radial flanged bearing	8.50	8.50
5,7	40405CP	Phenolic radial straight bearing	8.00	8.00
		<u>TURBINES</u>		
	40423PBG	Generic cartridge with 1 ang. fl. and 1 rad. str. without cap	60.00	60.00
	40423PBG	Generic cartridge /radial bearings without cap (phenolic)	65.00	65.00
	40423PBGA	Generic cartridge with angular polyimide bearings	60.00	60.00
	40423PBGC	Generic cartridge with radial bearings and cap	90.00	90.00
		<u>ACCESSORIES</u>		
	40404QD	Quick disconnect	48.00	48.00
	40404QRD	Quick disconnect ring	25.00	25.00
	40408XGT	Cap tool	2.50	2.50
	023B	Head Reamer	75.00	75.00



MIDWEST 8000/I





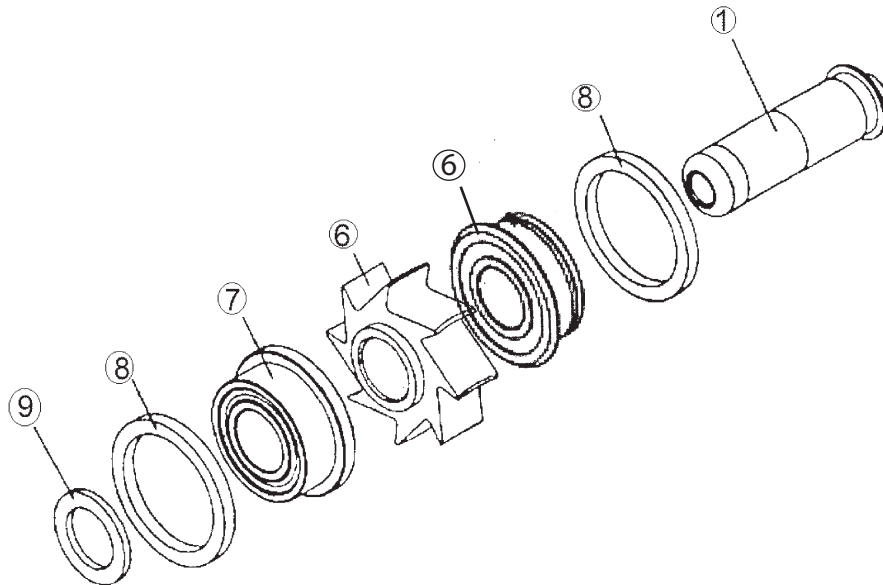
Midwest 8000/I

Price \$

Pict. Part #		Description	1-15	16+
<u>COMPONENTS</u>				
1	40429	Main spindle	7.50	6.50
1,2	40429A	Spindle/chuck combo	16.00	16.00
2	40414	Chuck	8.50	8.50
4	40428	Impeller	7.50	7.50
6	40426	Autoclavable insert	7.50	7.50
8	40410	Spring washer	.25	.20
7	40427	O ring	.55	.55
5	40415B	Head cap	8.00	7.50
	40422	5 hole gasket	.40	.35
	40422A	4 hole gasket	.40	.35
	40422B	2/3 hole gasket	.55	.50
<u>BEARINGS</u>				
3	40417	Set of straight radial bearings	9.20	8.80
3	40405C	Radial straight bearing	4.60	4.40
3	40405D	Angular straight bearing	6.80	6.60
3	40405CP	Phenolic straight bearing	8.00	8.00
<u>TURBINE</u>				
9	40480	Generic cartridge with polyimide bearings and cap	54.00	54.00
	40480A	Generic cartridge w/phenolic bearings and cap	60.00	60.00
<u>ACCESSORIES</u>				
	40413	Chuck tool	7.00	6.50



MIDWEST XGT



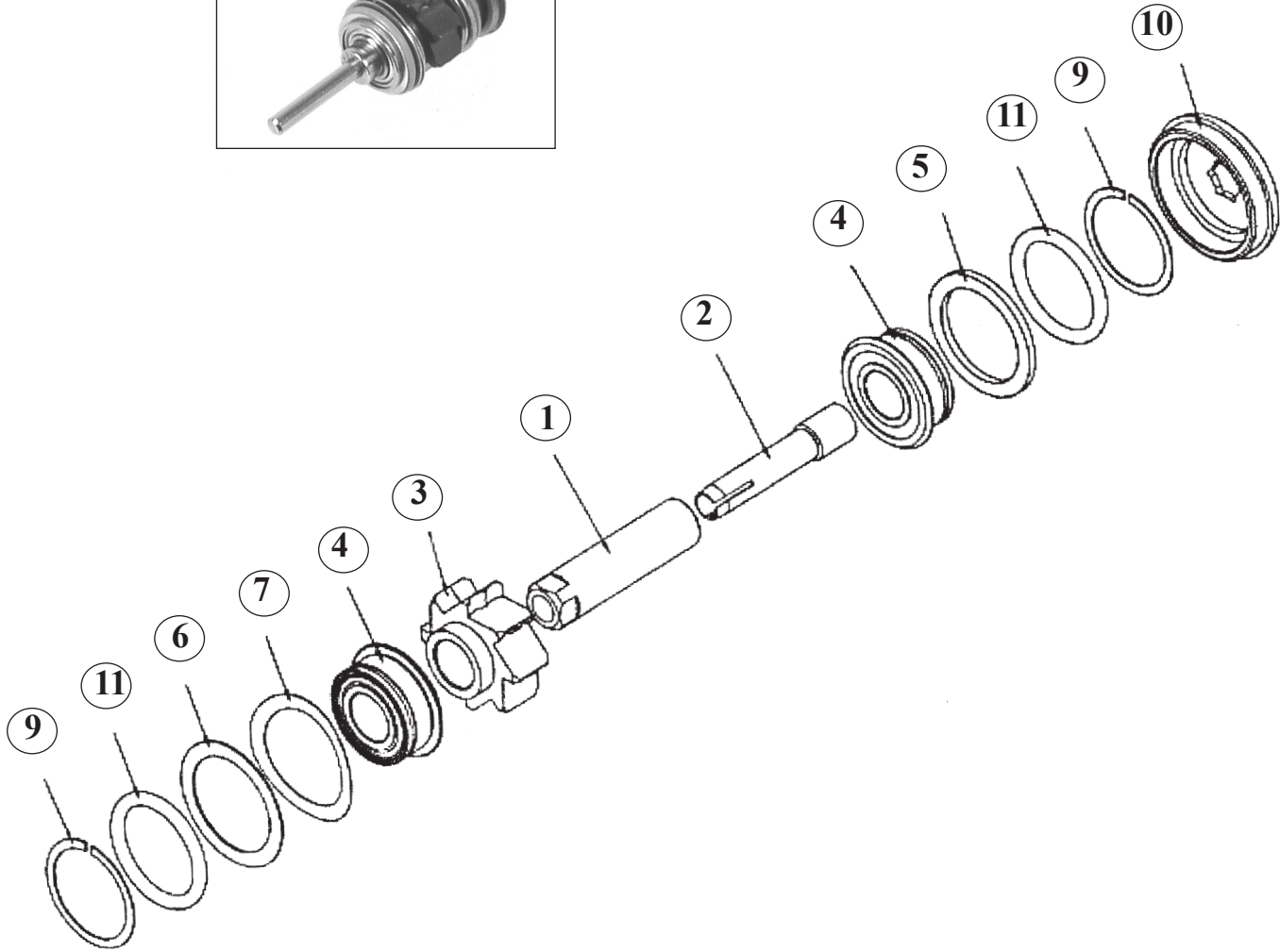
QUALITY DENTAL SERVICES CORP. 800 543-4408



Pict. Part #		Description	1-15	16+
		<u>COMPONENT</u>		
1,6	40497XGT	Spindle assembly	42.00	42.00
1,6	40497PBLM	Spindle and chuck only	35.00	35.00
1,6	40497PBFSMT	Flanged spindle and chuck	42.00	42.00
8	40415TGTX	Push button head cap	32.00	32.00
8	40407-1	Blue square O ring	.35	.30
8	40407-2	Black O ring	.35	.30
6	40498XGT	Impeller only	6.00	5.50
	40422	5 hole gasket	.40	.35
	40422A	4 hole gasket	.40	.35
	40422B	2/3 hole gasket	.55	.50
		<u>BEARINGS</u>		
6or7	40405B	Radial flanged bearing	6.30	6.10
6or7	40405A	Angular flanged bearing	7.10	6.50
6or7	40405BP	Phenolic radial flanged bearing	8.50	8.50
		<u>TURBINES</u>		
2	40423XGT	Generic cartridge	62.00	62.00
2	40423PB/XGT	OEM cartridge	call	call
2		Generic cartridge with back cap	105.00	105.00
		<u>ACCESSORIES</u>		
	40408XGT	Cap tool (universal)	2.50	2.50



STAR 430 VISTA MANUAL





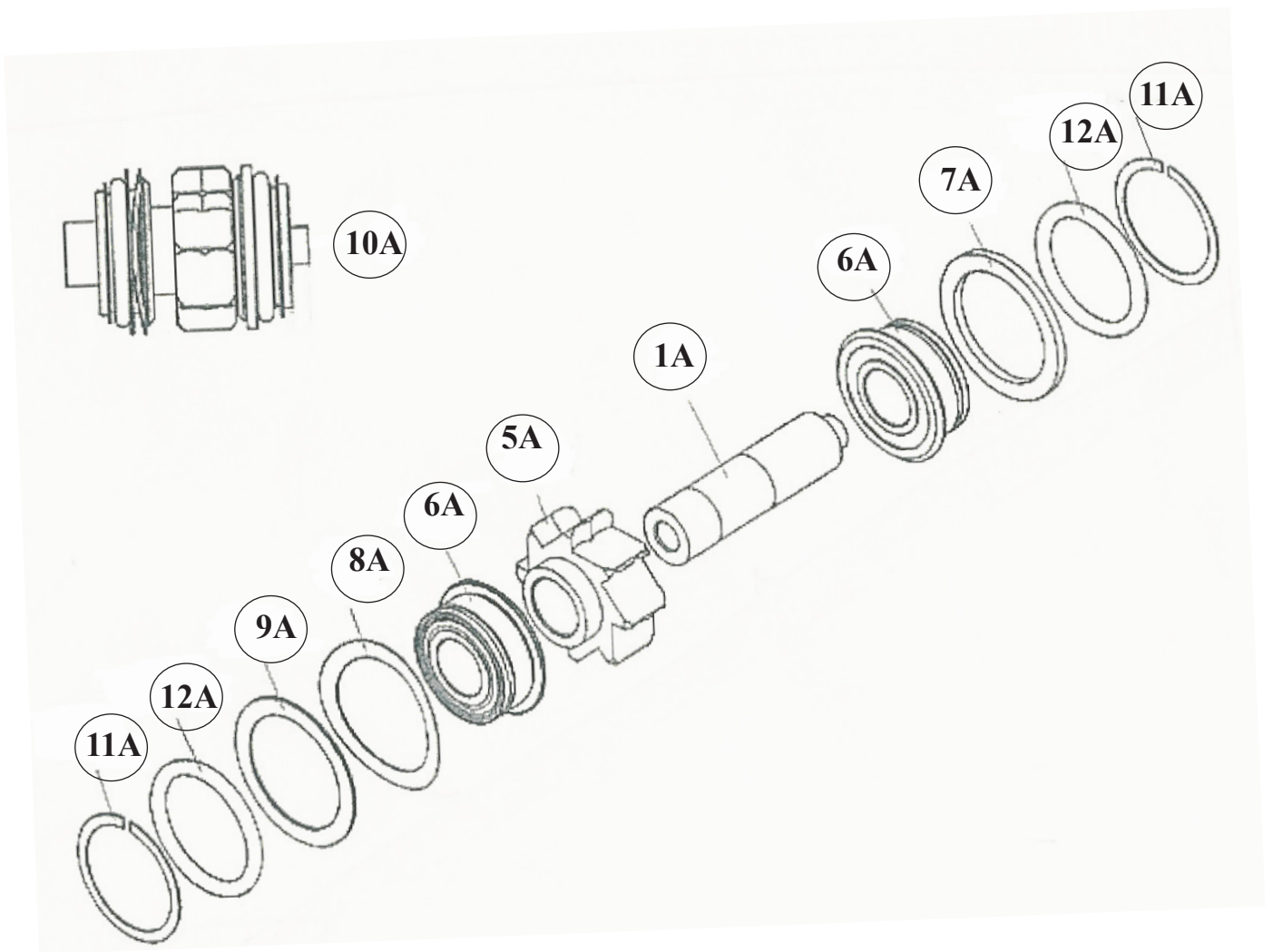
Star 430 Vista (Manual)

Price \$

Pict. Part #		Description	1-15	16+
<u>COMPONENTS</u>				
1	60117	Spindle	5.00	5.00
2	60108S	Square chuck	6.00	5.60
2	60108H	Hex chuck	6.00	5.60
3	60116	Impeller	7.00	6.50
3	60116G	Gold impeller	7.00	6.50
10	60110	Head cap	4.00	4.00
6	60103K1	Thin washer	.35	.30
5	60103K2	Thick washer	.35	.30
7	60103K3	Wavy washer	.35	.30
9	60103K4	Snap ring	.35	.30
11	40407-5	Green O ring	.68	.62
	60230A	5 hole green gasket	3.50	3.50
	60182VOR	Washer to fit Star Vortex	1.50	1.50
<u>BEARINGS</u>				
4	60103C	Grease packed angular polyimide bearings (2)	15.50	14.60
4	60103K	Greased packed angular bearings with keepers and O rings(2)	16.00	15.60
4	60103CP	Star phenolic radial bearing (1)	8.75	8.75
4	60103LTL	Bearing with intergral Shield (1)	15.00	14.50
4	60103LTLK	Bearing with intergral shield and parts (2)	34.00	34.00
4	60103KSIL	Silver bearings with keepers and O rings (2)	21.00	21.00
<u>TURBINE</u>				
12	60182	Generic cartridge	45.00	43.00
<u>ACCESSORIES</u>				
	60111	Coupler O ring kit	1.00	1.00
	30104S	Square universal wrench	6.50	6.00
	30104H	Hex universal wrench	6.50	6.00
	40408XGT	Cap tool (universal)	2.50	2.50
	028	Head expander with pilot hole	75.00	75.00
	60111AFO	Fiber optic quick disconnect coupler	160.00	160.00



STAR 430/VISTA PUSH BUTTON





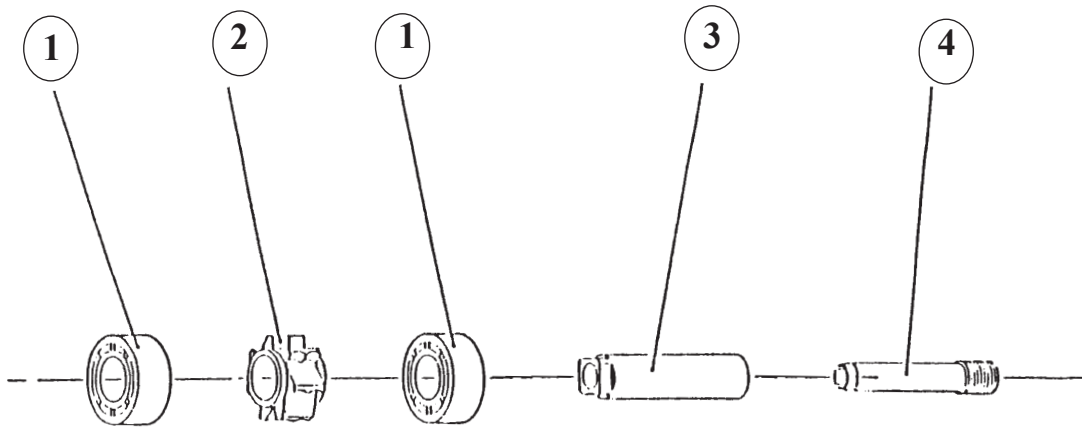
Star 430/Vista Push Button

Price \$

Pict.	Part #	Description	1-15	16+
		<u>COMPONENTS</u>		
1A,5A	60182PBCSMT	Spindle, chuck, and impeller assembly	39.00	39.00
1A	60182PBLMT	Spindle and chuck	35.00	35.00
1A,5A	60182GOLD	Spindle/chuck/impeller for Daily Lube	39.00	39.00
5A	60116	Impeller	7.00	6.50
5A	60116G	Gold Impeller	7.00	6.50
	60182LFC	Lube free head cap	30.00	30.00
	60182VOR	Vortex washer	1.50	1.50
9A	60103K1	Thin washer	.35	.30
7A	60103K2	Thick washer	.35	.30
8A	60103K3	Wavy washer	.35	.30
11A	60103K4	Snap ring	.35	.30
12A	40407-5	Green O ring	.68	.62
	60230A	Green 5 hole gasket	3.50	3.50
	60182CR	Green back cap gasket for 430	.70	.70
	40422A	Green 4 hole gasket	2.75	2.75
		<u>BEARINGS</u>		
6A	60103C	Grease packed angular polyimide bearing set (2)	15.50	14.60
6A	60103LTL	1 Greased sealed angular bearing	15.00	14.50
6A	60103K	Greased packed ang. bearing set with keepers and O rings	16.00	15.00
6A	60103LTLK	Greased sealed ang. bearing set with parts and O rings (2)	34.00	34.00
6A	60103CP	Greased phenolic radial bearing	8.75	8.75
		<u>TURBINE</u>		
10A	60182PB	Generic push button cartridge	60.00	60.00
10A	60182PBLTL	Generic push button cartridge with sealed bearings	82.00	82.00
10A	60182PBG	Generic push button cartridge with gold impeller	65.00	65.00
		<u>ACCESSORIES</u>		
	60111	Coupler O ring kit	1.00	1.00
	40408XGT	Cap tool (universal)	2.50	2.50
	60111AFO	Fiber optic quick disconnect coupler	160.00	160.00
	60230	Star Titan 4 Hole Green Gasket	3.00	3.00
	60230A	OEM 5 Hole Green Gasket	2.50	2.50
	60231	Star Titan 2 Hole Green Gasket Double "D"		



STAR ULTRA

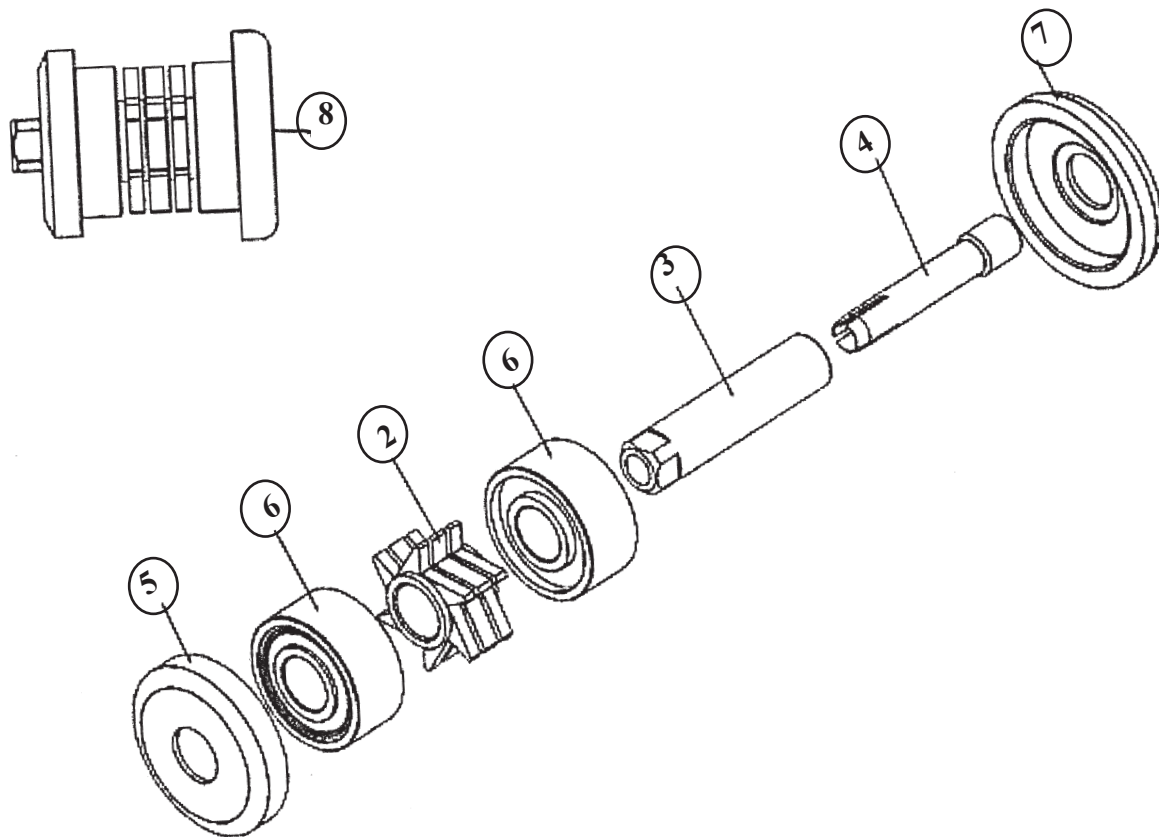




Pict. Part #		Description	1-15	16+
		<u>COMPONENTS</u>		
3	60121	Spindle	6.50	5.00
4	60122H	Hex chuck	7.00	6.00
4	60122S	Square chuck	7.00	6.00
2	60120	Impeller	10.00	10.00
	40422	5 hole gasket	.40	.35
	40422A	4 hole gasket	.40	.35
	40422B	2/3 hole gasket	.55	.50
		<u>BEARINGS</u>		
1	60102	Set of bearings	16.00	15.50
		<u>TURBINE</u>		
	60123	Cartridge	35.00	30.00
		<u>ACCESSORIES</u>		
	30104H	Hex wrench (universal)	6.00	5.50
	30104S	Square wrench (universal)	6.00	5.50



STAR FUTURA I & II





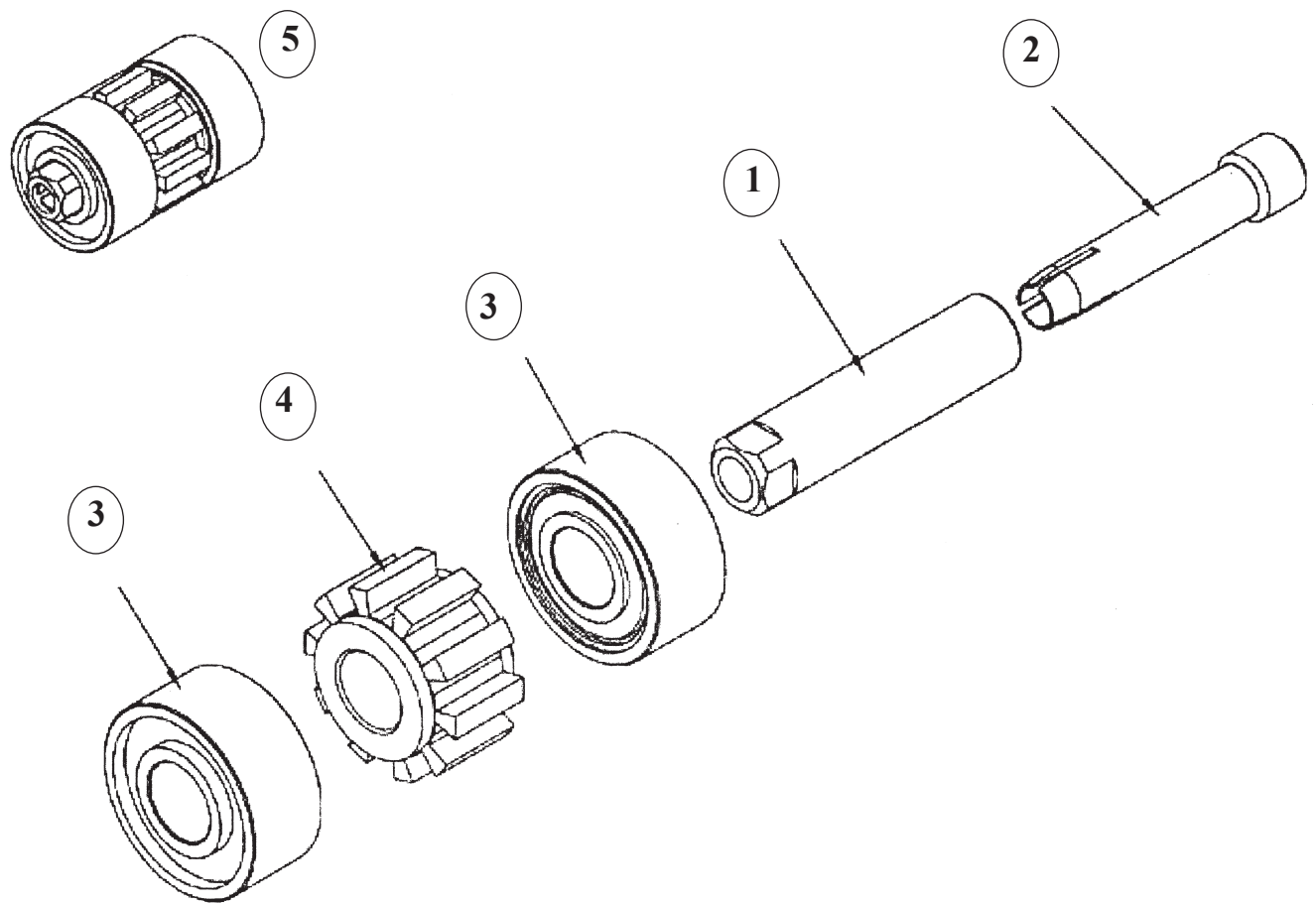
Star Futura I & II

Price \$

Pict. Part #		Description	1-15	16+
<u>COMPONENTS</u>				
5,7	60113	Front and rear caps (call for availability)	9.00	8.00
3	60115	Spindle	7.00	6.00
4	60109H	Hex chuck	7.00	6.00
4	60109S	Square chuck	7.00	6.00
2	60114	Impeller	5.00	4.50
	40422	5 hole gasket	.40	.35
	40422A	4 hole gasket	.40	.35
	40422B	2/3 hole gasket	.55	.50
<u>BEARINGS</u>				
6	60101	Set of bearings (2)	16.10	16.00
<u>TURBINE</u>				
8	60180	Generic cartridge less cap	30.00	28.00
<u>ACCESSORIES</u>				
	30104S	Square wrench (universal)	6.50	6.00
	30104H	Hex wrench (square)	6.50	6.00



STAR CONCENTRIC



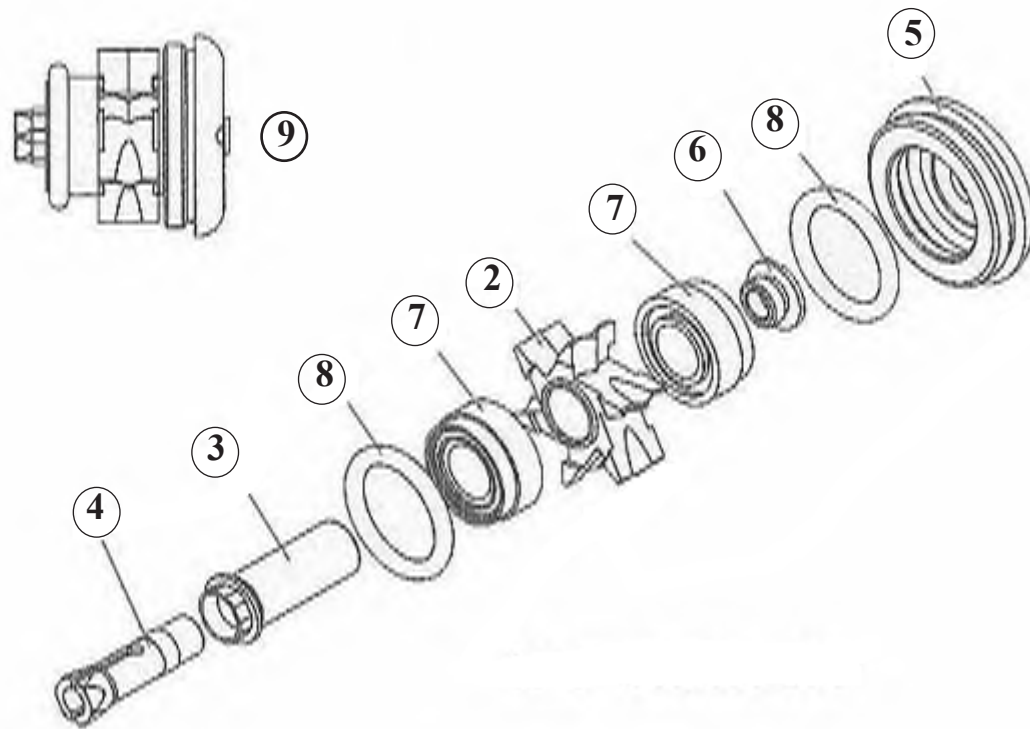
QUALITY DENTAL SERVICES CORP 800 543-4408



Pict. Part #		Description	1-15	16+
		<u>COMPONENTS</u>		
1	60122	Spindle	6.50	6.50
2	60112	Chuck	8.00	8.00
4	60119	Impeller	4.25	4.25
	40422	5 hole gasket	.40	.35
	40422A	4 hole gasket	.40	.35
	40422B	2/3 hole gasket	.55	.50
		<u>BEARINGS</u>		
3	60105	Set of bearings	16.00	16.00
3	60106	Concentric mini bearings	16.00	15.50
		<u>TURBINE</u>		
5	60180A	Generic Cartridge less cap	35.00	35.00
		<u>ACCESSORIES</u>		
	30104H	Hex wrench	6.00	5.50
	30104S	Square wrench	6.00	5.50



KAVO CONTACT AIR ***(standard)***





Kavo Contact Air (standard)

Price \$

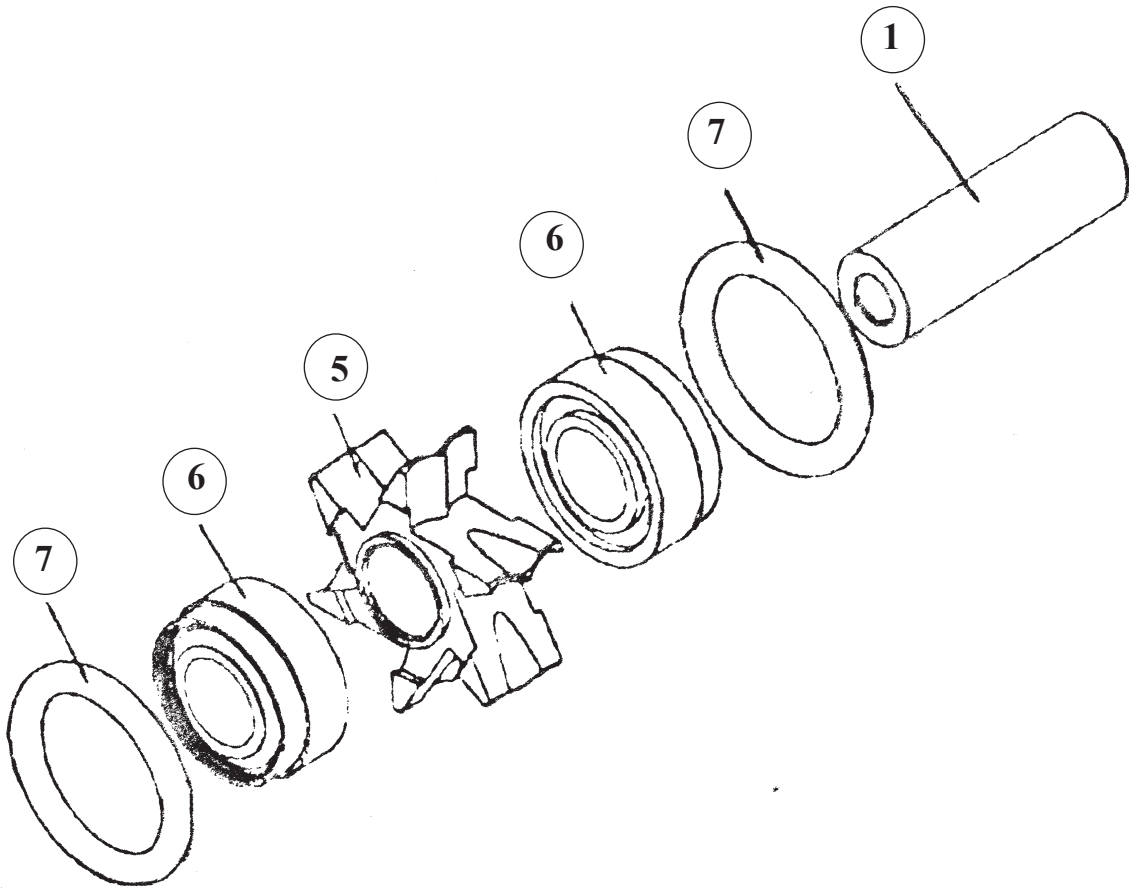
Pict. Part #		Description	1-15	16+
<u>COMPONENTS</u>				
3,4	10107A	Spindle/chuck (screw type)	14.50	14.50
2	10108	Impeller	7.00	7.00
8	10106	O ring	.40	.35
5	10105	Head cap	6.00	6.00
	101014HOLENFO	4 hole non fiber optic coupler	105.00	105.00
	10106HDLE	Handle O ring	.75	.75
	10106D	Air/water tube 'O' ring	.50	.35
	10106A	Set of 'O' rings for Kavo spray cover	.50	.50
9	10110	Generic cartridge	45.00	40.00



KAVO CONTACT AIR PUSH

BUTTON

(632D,632E,Belletrorque, 639B,639C,642C,645B,645C)





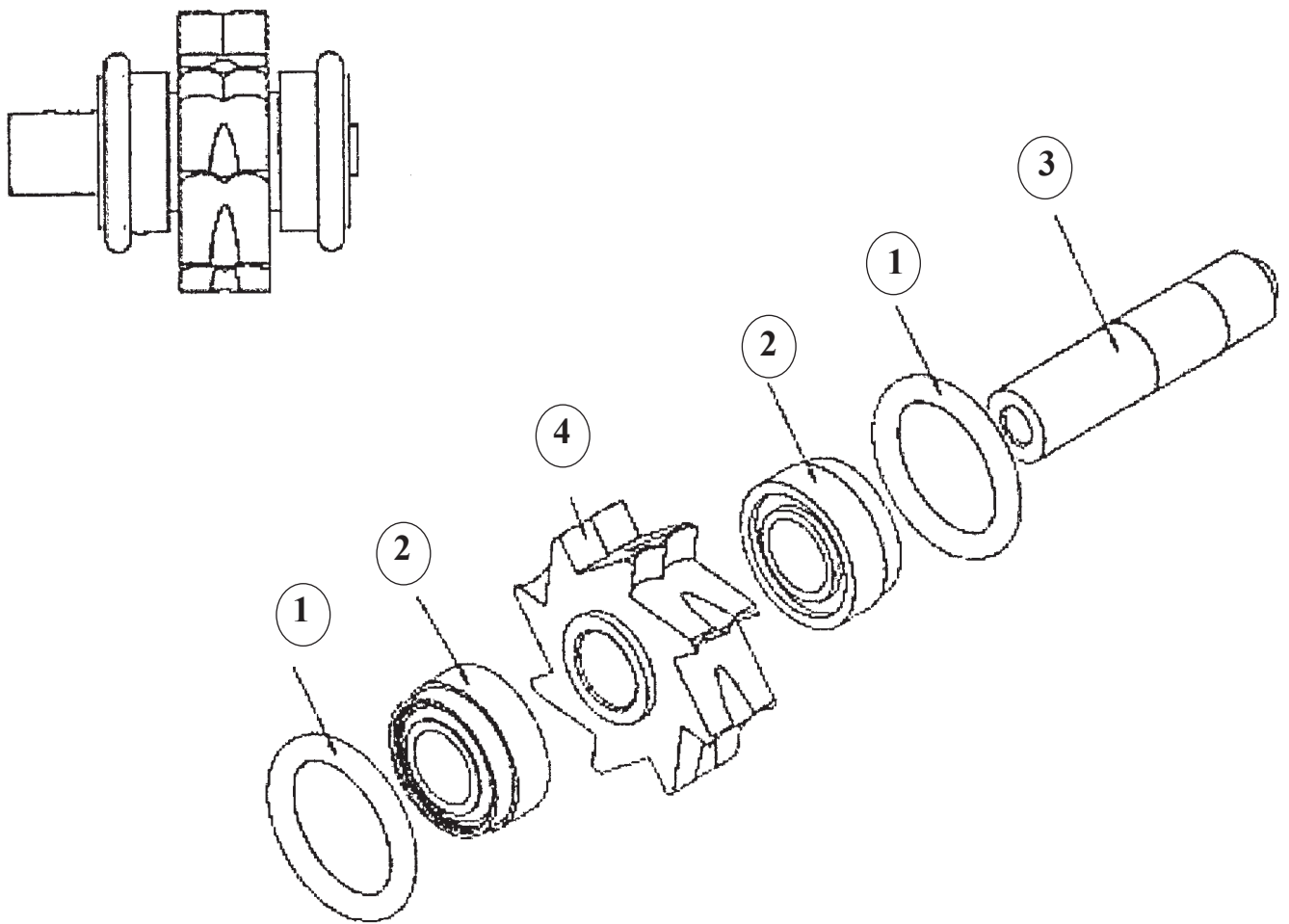
Kavo Contact Air Push Button

Price \$

Pict. Part #		Description	1-15	16+
<u>COMPONENTS</u>				
1	10115MT	Spindle/chuck assembly	39.00	39.00
1	10115PBLM	Spindle only	35.00	35.00
5	10108	Impeller	7.00	7.00
7	10106	O rings	.40	.35
	10113A	Push button back cap	35.00	35.00
7	10115FGSP	Small Head FG. spindle//chuck/impeller	37.00	37.00
<u>BEARINGS</u>				
6	10101	Radial polyimide bearings (2)	15.00	14.50
6	10101A	Radial phenolic (2)	14.50	14.10
6	10101ANG	Angular bearings (2)	18.00	17.00
6	10101BARD	Barden Bearing (1)	21.00	21.00
<u>TURBINES</u>				
8	10110A	Generic cartridge	60.00	65.00
8	10110APBGC	Generic cartridge w/cap	91.00	91.00
8	10107PBS	OEM cartridge	call	call
<u>ACCESSORIES</u>				
	101014HOLENFO	4 hole non fiber optic coupler	105.00	105.00
	101015HOLEFO	5 hole fiber optic coupler	140.00	140.00
	10101-6PIN	6 pin coupler	140.00	140.00
	10112	Friction grip and push button cap tool	10.00	10.00
	10106HDLE	Handle O ring	.75	.75
	10106D	Air/water tube O ring for high speed and slow speed	.50	.50
	10106A	Set of 'O' rings for Kavo spray cover	.50	.50
	10106B	Set of 5 'O' rings for quick disconnect coupler	1.25	1.25
	10106C	Air drive tube O ring for Kavo 632/642	.50	.35
	101015HOLEFO	5 Hole Fiber Optic Coupler	140.00	140.00
	10101-6PIN	6 Pin Fiber Optic Coupler	140.00	140.00
	40422	4 hole gasket	.40	.35
	40422C	6 hole gasket	.90	.90

KAVO SUPER TORC

630B, 630C, 640B, & 640C



QUALITY DENTAL SERVICES CORP. 800 543-4408



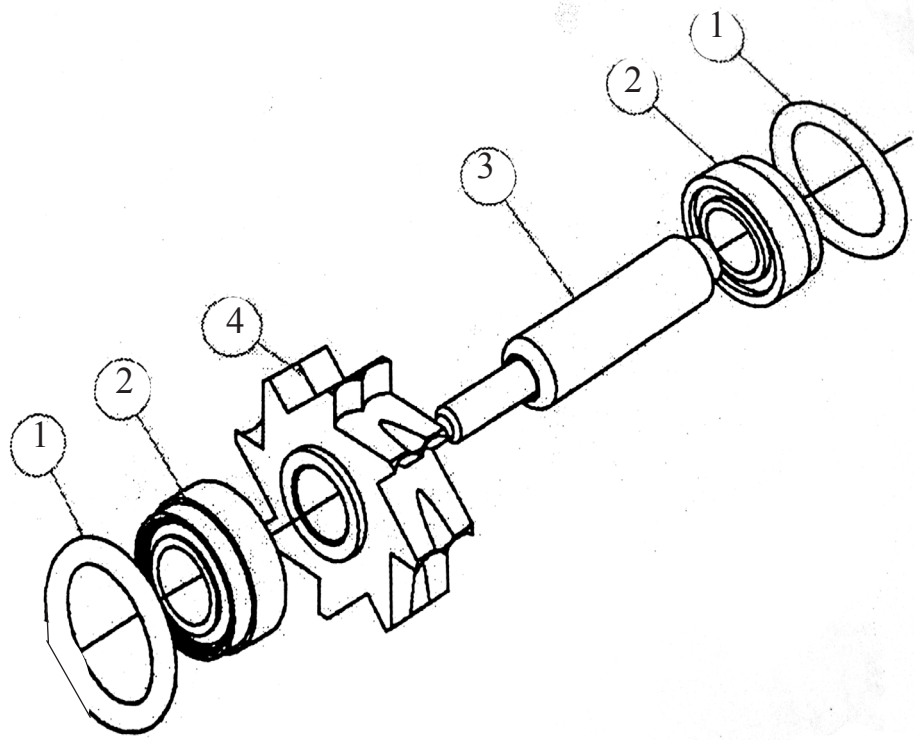
Kavo Super Torc Standard

Price \$

Pict.	Part #	Description	1-15	16+
		<u>COMPONENTS</u>		
4	10108	Impeller	7.00	7.00
1	10106	O ring	.40	.35
3	10107A	Spindle and chuck	14.50	14.50
		<u>BEARINGS</u>		
2	10101	Set of polymide bearings 2	15.00	14.50
2	10101A	Set of phenolic bearings 2	14.50	14.00
2	10101ANG	Set of angular polymide bearings 2	18.00	17.00
2	10101BARD	Barden bearing 1	21.00	21.00
		<u>ACCESSORIES</u>		
	101014HOLEN-FO	4 hole non fiber optic cartridge Handle O ring	105.00 .75	105.00 .75
	10106HDLE	Set of 'O' rings for spray cover	.50	.50
	10106A	Air drive tube O ring for Kavo 632/642	.50	.35
	10106C	Air/water tube 'O' ring	.50	.35
	10106D	Set of 5 O rings for Quick Disconnect	1.25	1.25
	10106B	5 Hole Fiber Optic Coupler	140.00	140.00
		6 Pin Fiber Optic Coupler	140.00	140.00



KAVO SUPER TORC PUSH BUTTON
630B, 630C, 640B, 640C





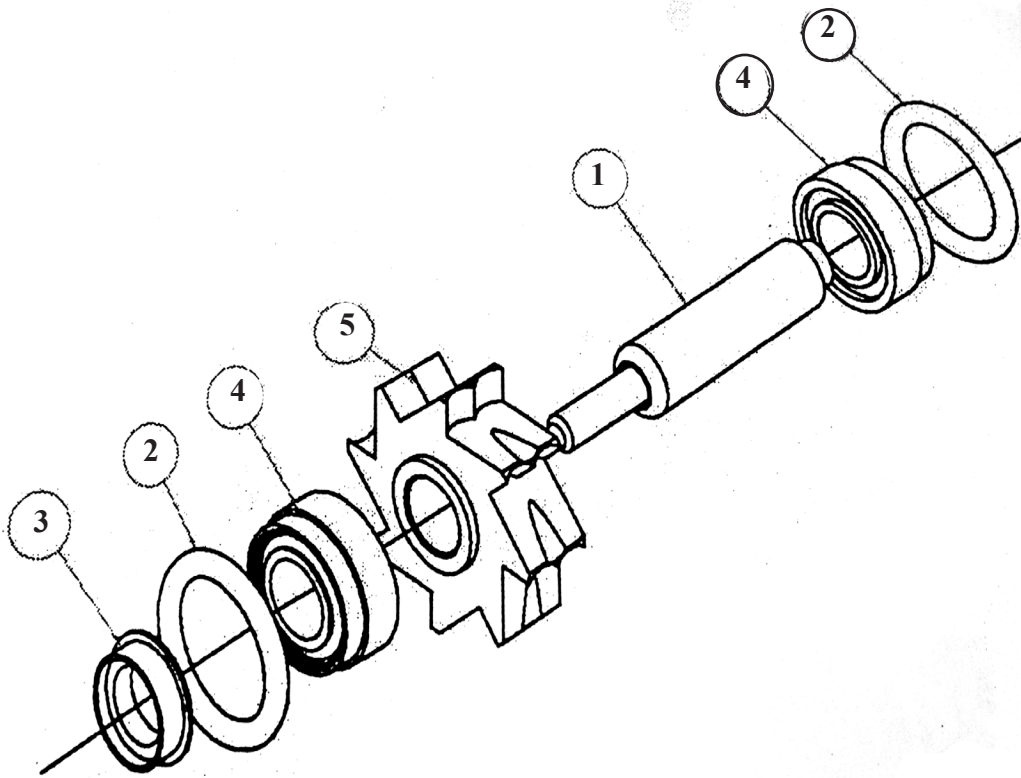
Kavo Super Torc Push Button (630B-C,640B-C)

Price \$

Pict.	Part #	Description	1-15	16+
		<u>COMPONENTS</u>		
3	10116MT	Spindle assembly	40.00	40.00
3	10116PBLM	Kavo Large PB Spindle only	35.00	35.00
3	10116FGSP	Friction grip spindle	49.00	49.00
3	10625CD	Spindle assembly for 625CD	50.00	50.00
4	10108A	Impeller	7.00	7.00
1	10106	O ring	.40	.35
	10114	Push button back cap	35.00	35.00
	10114A	Push button (Euro.) back cap	35.00	35.00
		<u>BEARINGS</u>		
2	10101	Radial polymide bearings (2)	15.00	14.50
2	10101A	Radial phenolic bearings (2)	14.50	14.00
2	10101ANG	Angular contact polyimide (2)	18.00	17.00
2	10101BARD	Barden Bearings (1)	21.00	21.00
		<u>TURBINES</u>		
	10110B	Generic cartridge without cap	65.00	65.00
	10110BPBGC	Generic cartridge with cap	80.00	80.00
		<u>ACCESSORIES</u>		
	101014HOLENFO	4 hole non fiber optic coupler	105.00	105.00
	101015HOLEFO	5 hole fiber optic coupler	140.00	140.00
	10101-6PIN	6 pin coupler	140.00	140.00
	10106HDLE	Handle O ring	.75	.75
	10106A	Set of 'O' rings for spray cover	.50	.50
	10106B	Set of 5 'O' rings for quick disconnect coupler	1.25	1.25
	10106C	Air drive tube O ring for Kavo 632/642	.50	.25
	10106D	Air/water tube O ring	.50	.25
	10112	Cap wrench for push button and friction grip	10.00	10.00
	10107B	640/630 Spray cover nut	5.00	5.00



KAVO 635 MIRA LUX





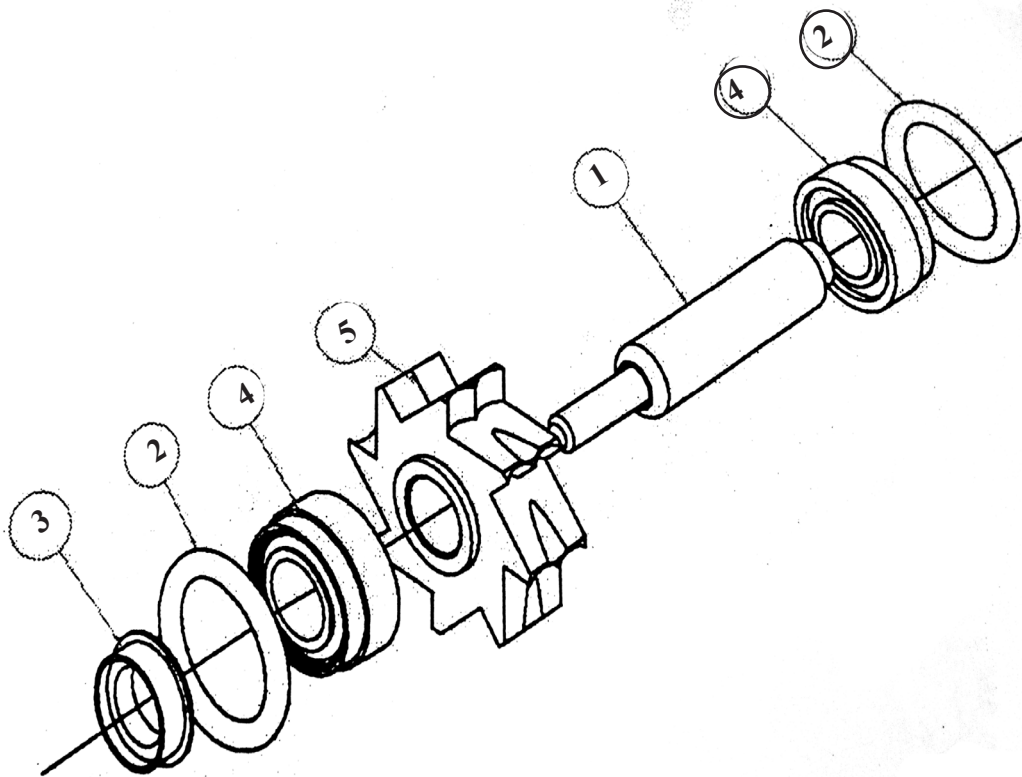
Kavo 635 Mira Lux

Price \$

Pict.	Part #	Description	1-15	16+
		<u>COMPONENTS</u>		
1	10115AMT	Push button spindle with step and impeller	39.00	39.00
3	10101SLINGER 111	Slinger	2.00	2.00
	10113B	Head cap (635)	30.00	30.00
2	10106	Kavo O ring for 635	.40	.35
		<u>BEARINGS</u>		
4	10101KV635	Rear bearing (also used for front bearing of 6000 model (1)	9.25	9.00
4	10101KV647/649	Front bearing(1)	10.00	10.00
		<u>TURBINES</u>		
	10101/635	Generic cartridge without cap	65.00	65.00
		<u>ACCESSORIES</u>		
	10112A	Cap wrench for push button and friction grip	10.00	10.00
	041 *	Spray cover tool	30.00	30.00
	101014HOLENFO	4 hole Non fiber optic coupler	105.00	105.00
	101015HOLEFO	5 hole fiber optic coupler	140.00	140.00
	10101-6PIN	6 pin coupler	140.00	140.00
	10106A1	Set of 2 'O' rings for water spray cover	1.00	.70
	10106B	Set of O rings for quick disconnect handpiece	1.25	1.25
	10106C	Air drive 'O' rings for 632 and 642	.50	.35
	10106D	Air/water tube O ring for slow and high speeds	.50	.50
	10101SA	Spray nozzle for Kavo lubricant can	10.00	10.00
		 * Be sure to leave the turbine in the handpiece while removing the spray cover. If you don't you will break the two pins off.		



KAVO 647/649



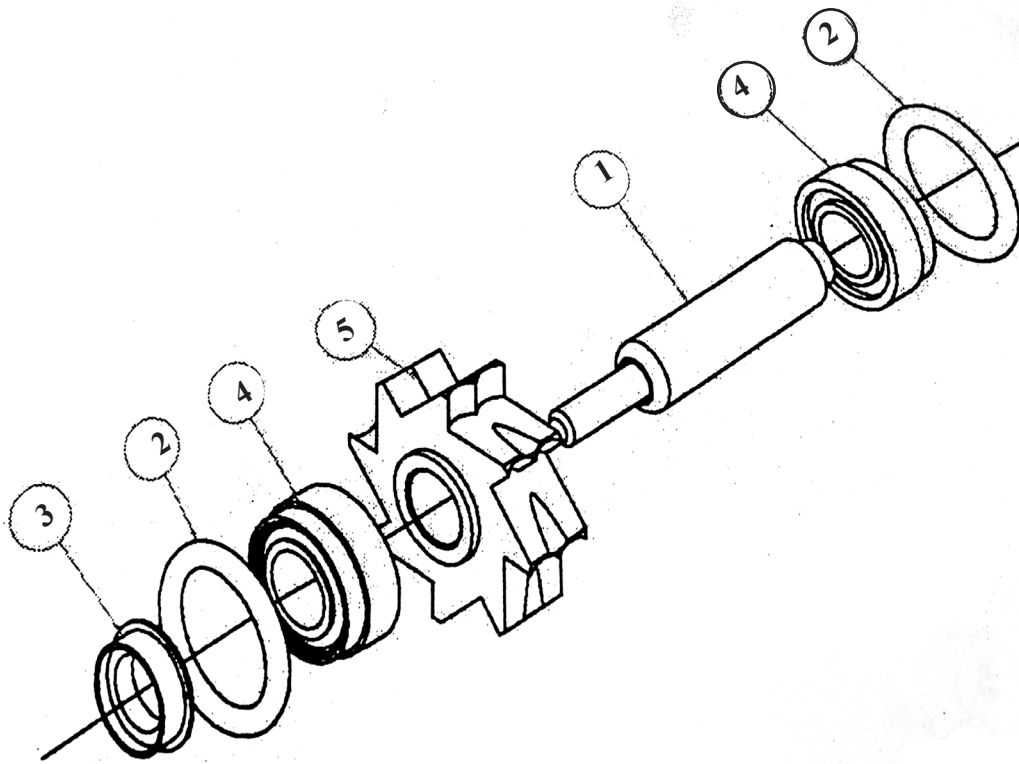


KAVO 647/649/636

Price \$

Pict.	Part #	Description	1-15	16+
		<u>COMPONENTS</u>		
1	10116AMT	Push button spindle/chuck/impeller assembly	45.00	45.00
1	10116A	Push button spindle/chuck/impeller assembly (Timken)	53.10	53.10
3	10101SLINGER1	Slinger	3.00	3.00
	10114C	Push button head cap	35.00	35.00
2	10106	Kavo O ring for all Kavo models	.40	.35
5	10108A	Impeller	7.00	7.00
		<u>BEARINGS</u>		
4	10101KV647/649	Front or rear bearing for 647/649/636 (1)	10.00	10.00
		<u>TURBINES</u>		
	10101/647	Generic cartridge for Kavo 647	65.00	65.00
	10101/649	Generic cartridge for Kavo 649	65.00	65.00
	10101/636	Generic cartridge for Kavo Euro 636	70.00	70.00
		<u>ACCESSORIES</u>		
	10112A	Cap wrench	10.00	10.00
	041	Spray cover tool	30.00	30.00
	10106PIN	Pin for water jacket	1.50	1.25
	10106HDLE	Handle O ring	.75	.75
	101014HOLENFO	4 hole non fiber optic coupler	105.00	105.00
	101015HOLEFO	5 hole fiber optic coupler	140.00	140.00
	10101-6PIN	6 pin coupler	140.00	140.00
	10106A	Set of 2 'O' rings for water cover	.50	.50
	10106A1	Spray Cover O ring for 647/649/650	1.00	.70
	10106B	Set of O rings for quick disconnect	1.25	1.25
	10106C	Set of 2 'O' rings for 632 and 642 air drive tube	.50	.35
	10106D	Air / water tube O ring	.50	.35
	10114C	Impeller	7.00	7.00
	40422	5 hole gasket	.40	.35

KAVO 650





Kavo 650, 6500, & 6000B

Price \$

Pict.	Part #	Description	1-15	16+
650 and 6500				
<u>COMPONENTS</u>				
1	10116A	Push button spindle/ chuck/ impeller assembly (Timken)	53.10	53.10
1	10116AMT	Push button spindle/chuck/impeller assembly	45.00	45.00
3	10101SLINGER11	Slinger	4.50	4.50
2	10106	O Ring	.40	.35
<u>BEARINGS</u>				
4	10101KVL650	Front bearing (1) for Kavo 650	12.00	12.00
4	40405C	Rear Bearing (1)for Kavo 6500	4.60	4.40
4	10101KV647/649	Rear bearing (1) for Kavo 6500 and 650	10.00	10.00
<u>TURBINES</u>				
	10101/650	Generic cartridge for Kavo 650	65.00	65.00
	10101-6500	Generic cartridge for Kavo 6500	65.00	65.00
<u>ACCESSORIES</u>				
	10112A	Cap wrench	10.00	10.00
	041	Spray cover	30.00	30.00
	10106PIN	Pin for water jacket	1.50	1.25
	10106HDLE	Handle O ring	.75	.75
	101014HOLENFO	4 hole non fiber optic coupler	105.00	105.00
	101015HOLEFO	5 hole fiber optic coupler	140.00	140.00
	10101-6PIN	6 pin coupler	140.00	140.00
	10106A	Set of 'O' rings for Kavo spray cover	.50	.50
	10106D	Air/water tube 'O' ring	.50	.35
	10106B	Set of 5 'O' rings for quick disconnect coupler	1.25	1.25
	10106C	Set of 2 O rings for 632 and 642 drive tube	.50	.35
	10106D	Air/water tube O ring	.50	.35
	10101-6500	Turbine for Kavo 6500	65.00	65.00
	40405D	Front bearing	6.80	6.60
	10101KV647/649	Front bearing for 650	10.00	10.00
	10116-6500	Spindle/chuck combo	42.00	42.00
	10106	O Rings	.40	.35
	10101SlingerIV	Slinger	1.25	1.25
	40408XGT	Cap Wrench	2.50	2.50
	10101SA	Spray nozzle for Kavo Lubricant Can	10.00	10.00
<u>6000B</u>				
	10101/GF	Turbine	65.00	65.00
	40405C	Rear Torlon Bearing(1)	4.60	4.60
	10010	Front Torlon Bearing(1)	17.00	17.00
	10116GFMT	Spindle/Chuck	42.00	42.00



W & H Synea Handpieces

Price \$

Pict.	Part #	Description	1-15	16+
		<u>TA 96</u>		
	50107PBS	Turbine (1)	60.00	60.00
	10011	Bearing (2)	16.00	15.50
	50107B	O Ring	.70	.60
	50107TW	Teflon Washer	1.00	1.00
	40410-3PT	Pt. Wavy Waher	.20	.15
	50107D	Spindle/Chuck combo	50.00	50.00
	9007IMPS	Impeller	7.00	7.00
		<u>TA96LW</u>		
	50107PBS	Turbine	60.00	60.00
	10011	Bearing (2)	16.00	15.50
	50107B	O Ring	.70	.60
	50107TW	Teflon Washer	1.00	1.00
	40410-3PT	Spring Washer	.20	.15
	50107D	Spindle/Chuck	50.00	50.00
	50107DPBL	Spindle only	35.00	35.00
		<u>TA98</u>		
	50107PB	Turbine	60.00	60.00
	50107B	O Ring	.70	.60
	10011	Bearing (2)	16.00	15.50
	50107TW	Teflon Washer	1.00	1.00
	40410-3pt	Spring Washer	.20	.15
	50107C	Spindle/Chuck	39.00	39.00
	50107CPBL	Spindle only	35.00	35.00
	9007IMP	Impeller	7.00	7.00
		<u>TA98LW</u>		
	50107PB	Turbine	60.00	60.00
	50107B	O Ring	.70	.60
	10011	Bearing (2)	16.00	15.50
	50107TW	Teflon Washer	1.00	1.00
	40410-3PT	Spring Washer	.20	.15
	50107C	Spindle/Chuck	39.00	39.00
	50107CPBL	Spindle only	35.00	35.00
	9007IMP	Impeller	7.00	7.00
		<u>Trend</u>		
	90004	Turbine	60.00	60.00
	50107B	O Ring	.70	.60
	10011	Bearing (2)	16.00	15.50
	40410-3PT	Spring Washer	.20	.15
	9001PBCS	Spindle/Chuck	45.00	45.00
	50107TW	Teflon Washer	1.00	1.00
	9001PB/S	Friction Grip Spindle	47.00	47.00

Quality Dental Services Corp. 800 543-4408 Prices subject to change without notice

Please call for quantity discounts.





W & H (Continued)

Price \$

Pict.	Part #	Description	1-15	16+
		<u>Top Air 898</u>		
	50107PBS	Turbine	60.00	
	50107B	O Rings	.70	.60
	40410-3PT	Spring Washer	.20	.15
	9006PB898	Spindle/Chuck	42.00	
	50107TW	Teflon Washer	1.00	
	None	Impeller		
		<u>Top Air 896</u>		
	90005	Turbine	60.00	
	50107B	O Rings	.70	.60
	10011	Bearings (2)	16.00	15.50
	9006PB896	Spindle/Chuck	42.00	
	50107TW	Teflon Washer	1.00	
	40410-3PT	Washer	.20	.15
	None	Impeller		





Pict.	Part #	Description	1-15	16+
		<u>CANISTERS & VARIOUS PARTS</u>		
	9000NL85	NL-85S/NL-75S/N70S (3 SPRAY)	80.00	
	9000NL85T	NL-75TORQ/NL-85TORQ	90.00	
	9000S	NL-75M/NL-85M	90.00	
	9000V	NL-65 MINI	78.00	
	9000X	NL95 TI MAX STANDARD	90.00	
	9000LH700	MICRO MOTOR LH700	90.00	
	9000LH730	MICRO MOTOR LH730	90.00	
	9000QD	NSK COUPLER	173.00	
	30303VB	VIPER MEDIUM SP/CH/IMP ONLY	30.00	
	30303VN	VIPER LARGE SP/CH/IMP ONLY	30.00	
	30303VR	VIPER SMALLSP/CH/IMP ONLY	30.00	
	30303P/S	HEALTH CO PUSH AND SWIVEL	75.00	
	40405B	RADIAL FLANGED BEARING	6.30	5.85
	40405A	ANGULAR FLANGED BEARING	7.10	6.50
	40407-2	O-RING	.35	.30





OEM NSK (continued)

Price \$

Part #	Description	
<u>TURBINES</u>		
900NL85O	Push button for NL85S,75S,70S MSRP: \$180.00	145.00
900NL85TO	Push button Torq for NL85T,75T MSRP: \$180.00	145.00
9000SO	Push button Mini for 85M,75M MSRP: \$180.00	145.00
9000VO	Push button Mini for 65M,45M,55M MSRP: \$160.00	128.00
9000VSO	Push button Standard for NL6545S,55S MSRP: \$160.00	128.00
9000XOM	Push button Mini for NL9500M MSRP: \$180.00	140.00
9000XOT	Push button Torq for NL9500T MSRP: \$180.00	140.00
9000XO	Push button Standard for NL9500S MSRP: \$180.00	140.00
TI9000M	Push button Mini for NL9000M MSRP: \$200.00	140.00
TI9000S	Push button Standard for NL9000S MSRP: \$200.00	140.00
<u>CAPS</u>		
9000CAP/S	Push button Standard cap for NL9000S MSRP: \$19.00	18.00
9000CAP/M	Push button Mini Cap for NL9000M MSRP: 19.60	18.00
9000CAP/T	Push button Torq for NL9000T MSRP: \$19.60	18.00
<u>CONTRA ANGLES</u>		
QDA005NPB	Push button latch MSRP: \$135.00	110.00
QDA005PFBG	Friction grip head MSRP: \$135.00	110.00
QDA005NSK	Ball bearing standard latch MSRP: \$82.00	65.60
QDA003NSK	Bushing standard latch MSRP: \$55.00	45.00
QDALCART	Push button latch head cartridge MSRP: \$61.25	50.00
QDAFGCART	Friction grip head cartridge MSRP: \$52.88	45.00
NSK2000S	Push button standard cartridge MSRP: \$115.00	110.00
NSK2000M	Push button mini head cartridge MSRP: \$115.0	110.00
NSKO/RINGS	Coupler O rings MSRP: \$9.79	10.00
<u>COUPLERS</u>		
NSK-4	4 hole coupler MSRP: \$90.00	85.00
NSK-5	5 hole coupler MSRP: \$120.00	110.00
NSK-6	6 pin coupler MSRP: \$120.00	110.00
NSK/1.1	1:1 motor adaptor for E motor MSRP: \$70.00	70.00





Pict.	Part #	Description	1-15	16+
		<u>TS-1</u>		
	10010	Bearings Phenolic	16.00	
	80002B	Spindle Combo	39.00	
	Call	O Rings	.90	
	40422C	6 Hole Gasket	.40	.35
	40422	5 Hole Gasket	.40	.35
	40422A	4 Hole Gasket	.55	.50
	40422B	2-3 Hole Gasket	60.00	
	80002B	Turbine		
		<u>TM-1</u>		
	90007	Turbine	60.00	
	10010	Bearing Phenolic (2)	16.00	
	80001B	Spindle Combo	39.00	
	10106	O Ring	.40	.35
	40422C	6 Hole Gasket	.90	.90
	40422	5 Hole Gasket	.40	.35
	40422A	4 Hole Gasket	.40	.35
	40422B	2-3 Hole Gasket	.55	.50
		<u>T2/T3 RACER</u>		
	10011	Bearings (2)	16.00	
	TC-Racer	Turbine	93.42	
		<u>T3 CONTROL</u>		
	10101ANG	Bearings (2)	20.00	
	TCS	Turbine	110.00	

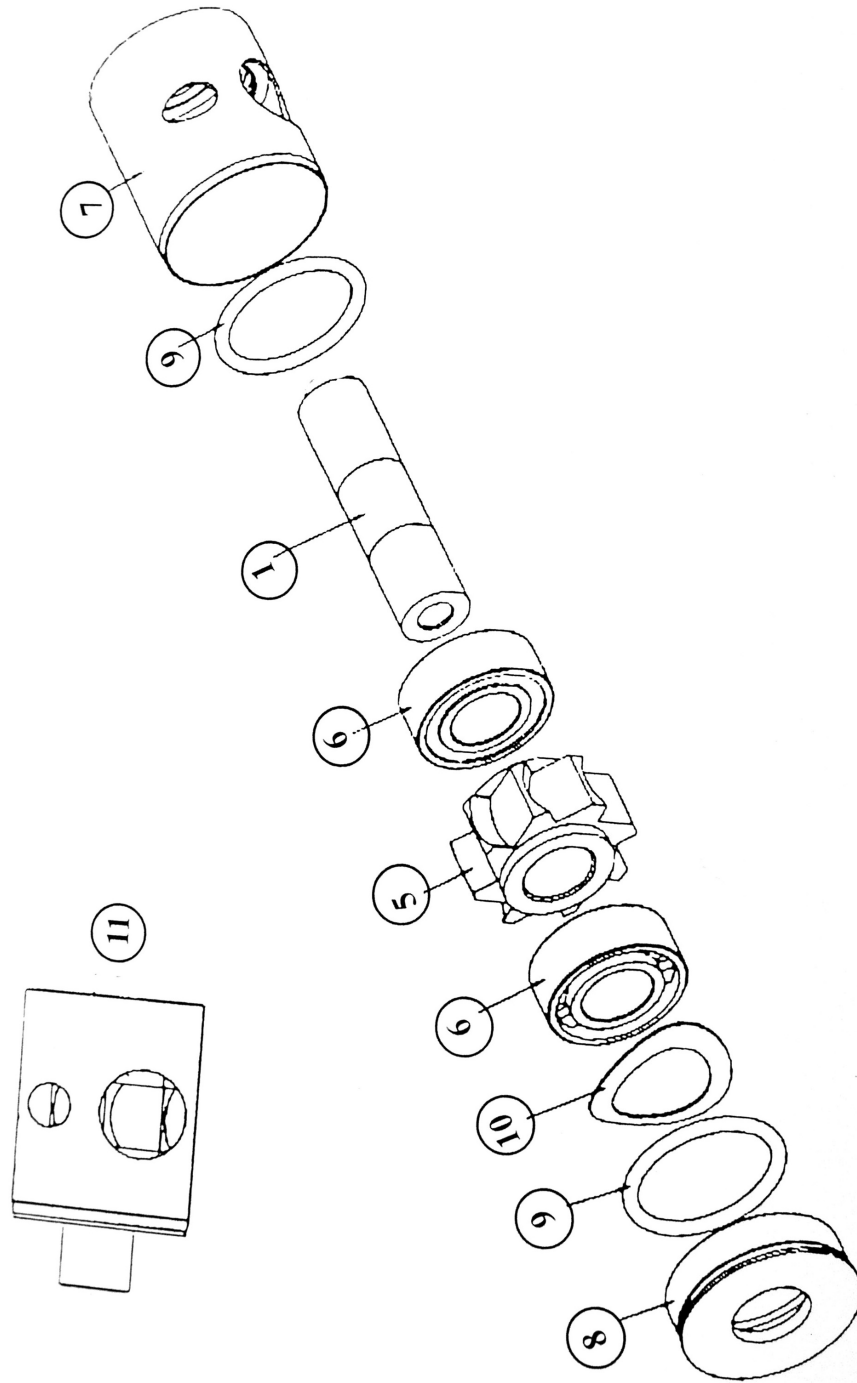




Pict.	Part #	Description	1-15	16+
		<u>BORA S36,S36L</u>		
	90013	Push Button Cartridge with Phenolic Bearings	65.00	65.00
	10012	Phenolic Radial Bearings (2)	16.00	15.50
	9503SPCK/IMP	Spindle/Chuck with Impeller	49.00	
	50107F	O Ring (1)	1.00	
	40422	5 Hole Gasket	.40	.35
	40422A	4 Hole Gasket	.40	.35
	40422C	6 Hole Gasket	.90	
		<u>BLACK PEARL</u>		
	90010	Push Button Cartridge with Phenolic Bearings	65.00	
	10012	Phenolic Radial Bearings (2)	16.00	15.50
	9500SPCK/IMP	Spindle/Chuck with Impeller	49.00	
	9500	Spindle only	28.00	
	9500IMP	Impeller	10.75	
	50107G	Head washer	1.50	
	50107F	Black O Ring	1.00	
	40422A	4 Hole Gasket	.40	.35
	40422B	5 Hole Gasket	.55	.50
		<u>BIEN AIR LAB</u>		
	50107LAB	Push Button Cartridge with Phenolic Bearings	65.00	
	10012	Phenolic Radial Bearings (2)	16.00	15.50
	50107H	Push Button Spindle only	28.00	
	50107I	Impeller	12.30	
	50107G	Head Washer	1.50	
	CALL	Bearing Cup	1.00	
	50107F	Black O Ring	1.00	
	50107G	Black Small Fr. Grip O Ring	1.50	
		<u>BIEN AIR ONDINE</u>		
	90010	Turbine with Phenolic bearings	65.00	
	10011	Phenolic bearings (2)	16.00	15.50
	9501SPCK/IMP	Push Button Spindle/Chuck/Impeller	49.00	
	9501	Push Button Spindle/Chuck only	39.00	
	9502IMP	Impeller	10.75	
	10011FC	Frnt. Bearing Cup	7.50	
	10011RC	Rear Bearing Cup	7.50	
	40422A	4 Hole Gasket	.40	.35
	40422	5 Hole Gasket	.40	.35
	40422C	6 Hole Gasket	.90	



STANDARD / JAPANESE CANISTER



QUALITY DENTAL SERVICES CORP. 800 543-4408



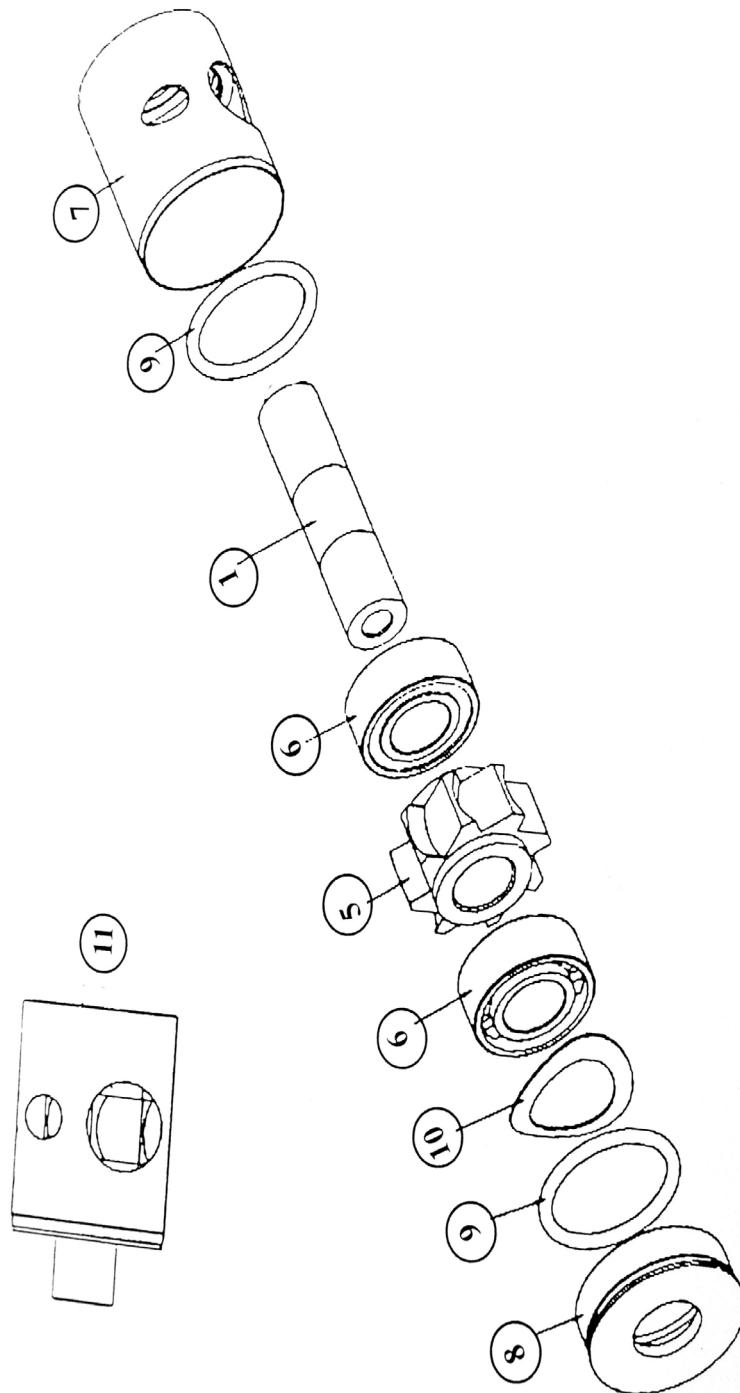
Universal Standard Canister

Price \$

Pict. Part #		Description	1-15	16+
		<u>COMPONENTS FOR STANDARD</u>		
8/7	30110	Universal canister and lid only (empty)	5.00	5.00
9	30111	Canister O ring	.30	.20
5	30113	Canister impeller	5.00	4.50
1	30114	Spindle	6.00	5.50
1	30103	Chuck	4.50	4.25
	30116	Head cap	3.00	3.00
10	40410	Spring washer	.25	.20
	40422	5 hole gasket	.40	.35
	40422A	4 hole gasket	.40	.35
	40422B	2/3 hole gasket	.55	.50
		<u>BEARINGS</u>		
6	30112	Set of radial smooth bearings (2)	9.20	8.80
6	40405D	Angular smooth bearing (1)	6.80	6.60
6	40405CP	Radial phenolic bearing (1)	8.00	8.00
		<u>TURBINE</u>		
11	30303	Standard sized canister	16.00	16.00
11	30303S	Supergrade sized canister	40.00	40.00
		<u>ACCESSORIES</u>		
	30116A	Cap wrench	5.00	4.00
	30104S	Square universal wrench	6.50	6.00
	30104H	Hex. universal wrench	6.50	6.00
	30120 *	Back end for Japanese/ std. canister handpiece aluminum	10.00	10.00
	30303CANSEP	Canister seperator	25.00	25.00
		*Can also be used to replace the back end on a Midwest Quiet Air		



STANDARD MINI-CANISTER





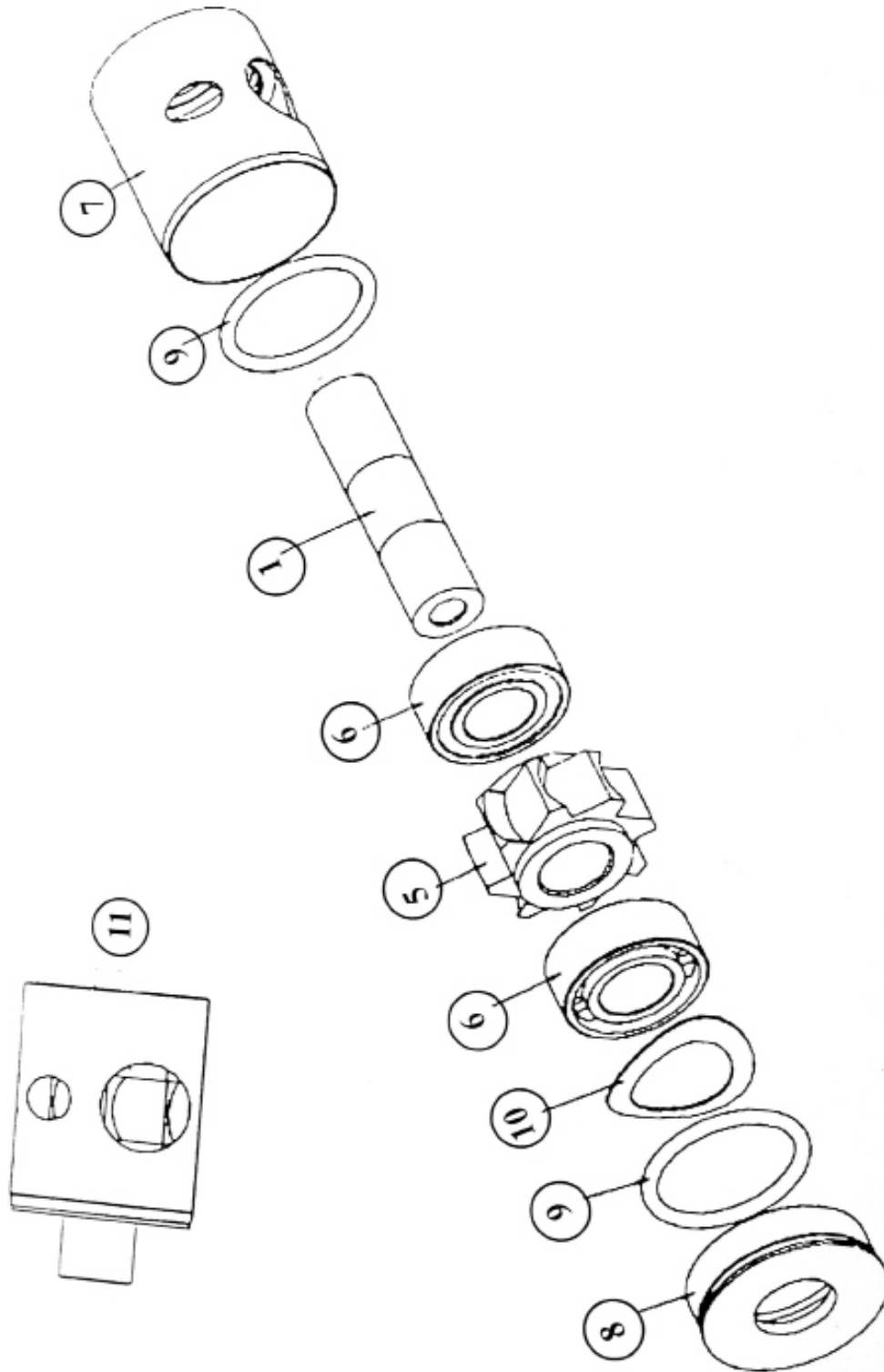
Standard Mini Canister

Price \$

Pict.	Part #	Description	1-15	16+
		<u>COMPONENTS</u>		
7,8	30110M	Universal mini canister and lid (empty)	10.00	10.00
9	30111	O ring	.30	.20
1	30114M	Mini spindle	17.00	17.00
1	30103M	Mini chuck	3.00	3.00
10	40410	Spring washer	.25	.20
	40422	5 hole gasket	.40	.35
	40422A	4 hole gasket	.40	.35
	40422B	2/3 hole gasket	.55	.50
		<u>BEARINGS</u>		
6	30112	Set of smooth radial bearings (2)	9.20	8.80
6	40405D	Angular smooth bearing (1)	6.80	6.60
6	40405CP	Radial Phenolic bearing (1)	8.00	8.00
		<u>TURBINE</u>		
11	30303A	Mini generic cartridge	30.00	27.00
		<u>ACCESSORIES</u>		
	30116A	Back cap wrench	5.00	4.00
	30104S	Universal square bur wrench	6.50	6.00
	30104H	Universal hex bur wrench	6.50	6.00
	30303CAN-	Canister disassembly tool for all canisters (see tool section)	25.00	25.00



UNIVERSAL/PUSH BUTTON CANISTER





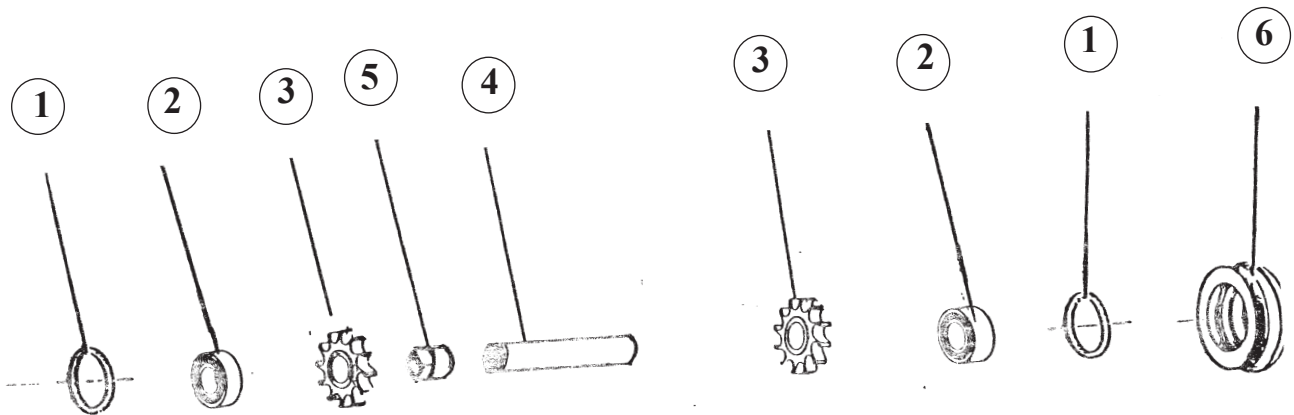
All types of Universal Push Button Canisters

Price \$

Pict. Part #		Description	1-15	16+
		<u>COMPONENTS</u>		
9	30111	O ring	.30	.20
5	30113	Impeller	5.00	4.50
1,5	30303AP	Push button spindle/chuck/impeller for MINI canister	30.00	30.00
	30303PBCAP	Standard push button cap	16.00	16.00
	30303SS/CK	PB spindle/ chuck/ impeller for SUPERGRADE canister	39.00	39.00
	30303HPS	Spindle/chuck for the Healthco Push and Swivel	39.00	39.00
	30303ACAP	Mini Push Button Cap	13.00	13.00
		<u>BEARINGS</u>		
6	30112	Set of smooth radial bearings (2)	9.20	8.8
6	40405D	Angular smooth bearing (1)	6.80	6.60
		<u>TURBINES/CANISTERS</u>		
11	30303PB	Push button canister without cap	60.00	60.00
11	30303PBC	Push button canister with cap	80.00	80.00
11	30303APB	Mini push button canister without cap	50.00	50.00
	30303SPB	Supergrade canister without cap	55.00	55.00
		<u>ACCESSORIES</u>		
	30120	Back end for universal handpiece	10.00	10.00
	30303CANSEP	Canister disassembly tool	25.00	25.00



LARES STANDARD 557-757



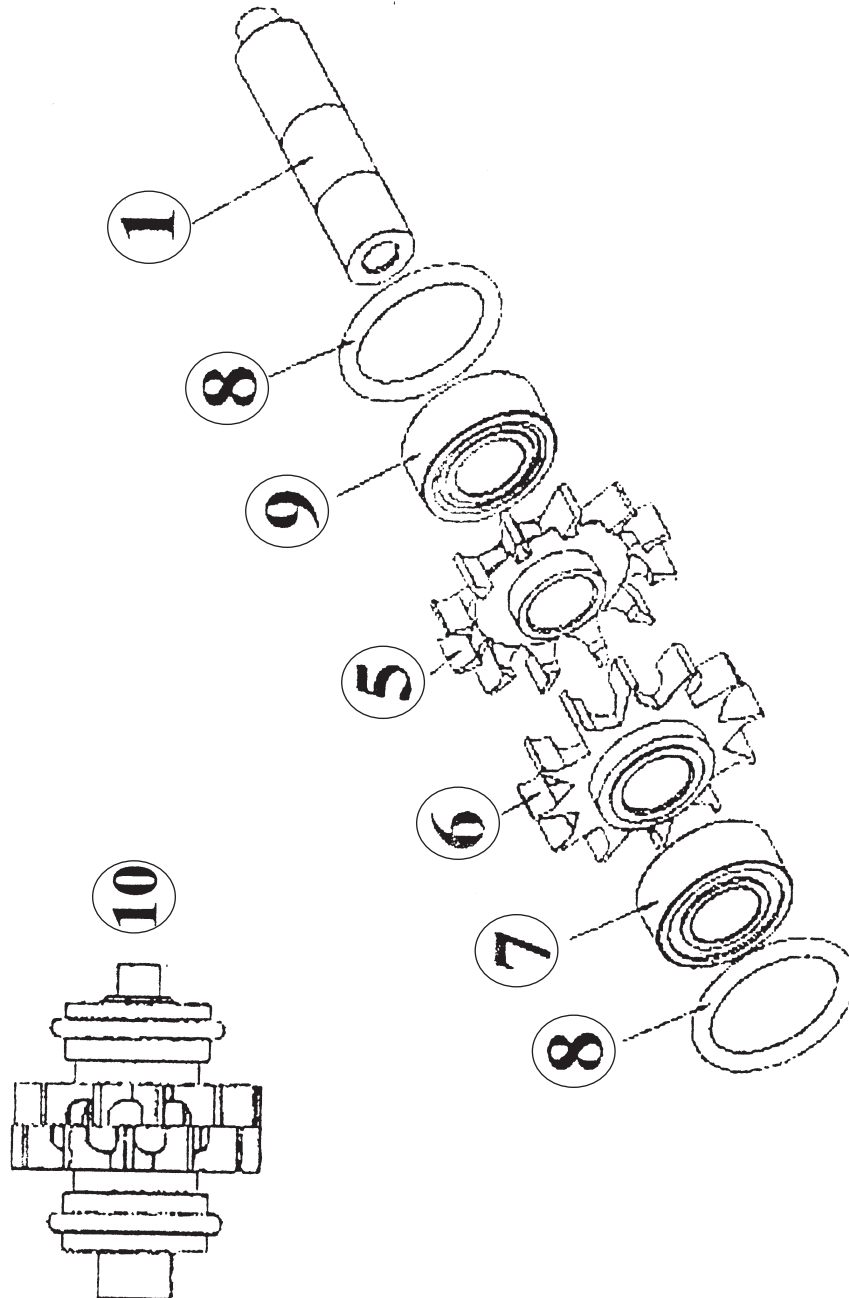


Lares Standard 557-757

Price \$

Pict. Part #		Description	1-15	16+
		<u>COMPONENTS</u>		
2	50106	Set of Bearings(2) 557/757 Non- Pushbutton	16.00	15.60
5	50109	Spindle Nut	7.00	7.00
1	50110	'O' Ring	.30	.30
3	50115	Impeller (small) (1piece)	7.50	7.00
3	50115A	Impeller (large) (1 piece)	8.50	8.00
		<u>BEARINGS</u>		
2	50106B	Lower Bearing for Lares 557-757(1)	8.00	7.80
	50106A	Upper Bearing for Lares 557-757 (1)	8.00	7.80

LARES PUSH BUTTON 557/757





Lares Autochuck 557-757

Price \$

Pict. Part #		Description	1-15	16+
		<u>COMPONENT</u>		
8	50110	O ring	.30	.30
	50111	Push button chuck only w/ washers (OEM)	7.50	7.00
5,6	50115	Small 1 piece impeller	call	call
5,6	50115A	Large 1 piece impeller	8.50	8.50
1,5,6	50116	Small spindle/chuck/ impeller combo	50.00	50.00
1,5,6	50116A	Large spindle/chuck/impeller combo	50.84	50.84
	50118	557 small push button cap	22.00	22.00
	50111A	Special spring washer for chuck	.50	.35
	50119	757 large push button cap	22.00	22.00
	40410-3PT	3 point wavy washer	.20	.15
		<u>BEARINGS</u>		
7,9	50108	Set of bearings for 557/757 push button	16.00	15.60
9	50108A	Rear (thin) push button bearing	8.00	7.80
7	50108B	Front (thick) push button bearing	8.00	7.80
		<u>TURBINE</u>		
10	50122	Generic push button cartridge for small 557	74.00	74.00
10	50123	Generic push button cartridge for large 757	74.00	74.00



QUALITY DENTAL SERVICES CORP.

√ A Special Message About Our Bearings



Please note that all of the high speed dental bearings that
Quality Dental sells
are made either in the U.S.A, U.K. or Germany

**WE HAVE BEEN AN AUTHORIZED NHBB BEARING DISTRIBUTOR
FOR OVER 25 YEARS**

Our bearings are at least ABEC 7. The bearing companies that we represent
have had many years of experience in producing high quality bearings for
major dental high speed manufacturers.

**THEREFORE, DON'T BE TAKEN IN BY INFERIOR, LOW PRICED
BEARINGS. IT'S NOT WORTH LOSING AN ACCOUNT**





Various Replacement High Speed Bearings

Price \$

Pict.	Part #	Description	1-15	16+
		<u>MIDWEST HANDPIECES</u>		
		<u>QUIET AIR:</u>		
	40405	Set of bearings 1 ang. flanged and 1 radial straight	11.70	11.25
	40405ANG	Set of bearings 1 ang. flanged and 1 ang. straight	13.90	13.45
	40405RAD	Set of radial bearings 1 radial flanged and 1 radial straight	10.90	10.50
	40405A	1 angular flanged bearing	7.10	6.85
	40405B	1 radial flanged bearing	6.30	6.10
	40405C	1 radial straight bearing	4.60	4.40
	40405D	1 angular straight bearing	6.80	6.60
	40421	Set of bearings for Quiet Air mini 1 straight & 1 flanged	20.00	20.00
		<u>TRADITION:</u>		
	40418	Set of radial bearings 1 radial straight and 1 angular flanged	10.90	10.50
	40418ANG	Set of angular bearings 1 straight and 1 flanged	13.90	13.45
		<u>8000/I:</u>		
	40417	Set of radial bearings 1 straight and 1 flanged	9.20	8.80
		<u>STYLUS:</u>		
	40405SEC	1 Bearing for STYLUS Easy Care (Myonic)	14.00	14.50
	40405BP	Midwest Phenolic radial bearings(flanged) (1)(Myonic)	8.50	8.50
	40405CP	Midwest Phenolic radial bearing (straight) (1) (Myonic)	8.00	8.00
		<u>STAR HANDPIECES</u>		
		<u>430 & OTHER STAR:</u>		
	60103CP	Star Phenolic radial bearing (Myonic) (1)	8.75	8.75
	60103C	Set of bearings with steel cages 2 flanged/ grooves for C clips	15.50	14.60
	60103K	Set of 60103's with keepers, O rings, wavy washer, and clips	16.00	15.60
	60103LTL	1 grease packed angular contact brgs. "Lube for Life"	15.00	14.50
	60103LTLK	Set of 2 60103LTL's with keepers, O rings, washers, and clips	34.00	34.00
	60102	Set of bearings for Star Ultra	15.60	15.25
	60101	Set of bearings for Star Futura	16.00	16.00
	60104	Bearings for Starfilte	16.00	16.00
	60105	Concentric bearings	16.00	16.00
	60106	Concentric mini bearings	16.00	15.50
	60107	Starfilte Pedo handpiece	16.50	16.00
	L810-801	Star, NSK, Midwest, & Kavo latch and push button bearing	6.50	6.50
	60211A	1/8" ball for Star motor reversing valve	1.50	1.50
	60103CPK	Myonic bearings w/all keepers and O rings(2)	22.00	22.00
		<u>LARES HANDPIECES</u>		
		<u>557/757:</u>	16.00	15.60
	50106	Set of bearings for non push button 557/757	16.00	15.60
	50108	Set of upper and lower bearing for 557 and 757	8.00	7.80
	50108A	1 rear (thin) bearing for 557 and 757	8.00	7.80
	50108B	1 front (thick) bearing for 557 and 757		





Various Replacement High Speed Bearings

Price \$

Pict.	Part #	Description	1-15	16+
		<u>KAVO HANDPIECES</u>		
		<u>CONTACT AIR PUSH BUTTON:</u>		
	10101	Set of radial polyimide bearings (2)	15.00	14.50
	10101A	Set of radial phenolic (2)	14.50	14.10
	10101ANG	Set of angular contact bearings (2)	20.00	18.75
	10101BARD	Barden bearing (1)	21.00	21.00
	L810-801	Star, NSK, Midwest, & Kavo latch and push button bearing	6.50	6.50
		<u>KAVO SUPER TORC:</u>		
	10101	Set of polyimide bearings (2)	15.00	14.50
	10101A	Set of phenolic bearings (2)	14.50	14.10
	10101ANG	Set of Angular Contact Bearings (2)	20.00	18.90
		<u>KAVO SUPER TORC PUSH BUTTON:</u>		
	10101	Radial phenolic bearings (2)	15.00	14.50
	10101A	Radial phenolic bearings (2)	14.50	13.00
	10101ANG	Angular contact polyimide (2)	21.00	18.75
		<u>KAVO 635 MIRA LUX:</u>		
	10101KV635	Rear bearing Mira Lux (1)	9.25	9.00
	10101KV647/649	Front bearing (1)	10.00	10.00
		<u>KAVO 647/649</u>		
	10101KV647/649	Front or rear bearing (1)	10.00	10.00
		<u>KAVO 650:</u>		
	10101KV647/650	Front or rear bearing for 650 (1)	12.00	12.00
		<u>KAVO INTERFLEX</u>		
	10118A	Front bearing (1)	16.00	16.00
	10118B	Rear Bearing (1)	16.00	16.00
		<u>SPECIAL BEARINGS</u>		
	40475	<u>Rear</u> bearing for MW twist type, NSK E5 & E6, and Schein- master nose cone	6.50	6.50
	40475A	<u>Front</u> bearings for MW twist type, NSK E5 & E6, and Schei- nmaster nose cone	6.50	6.50
	10101ELC	High speed electirc handpiece bearing: For Kavo 25LHA, 25LPA, W&H WA99,999LT, Bein Air 1443&1551, NSK W95L, TA95LA,E85L,MW Stylus	10.00	10.00





Various Replacement High Speed Bearings

Price \$

Pict.	Part #	Description	1-15	16+
		<u>NSK HANDPIECES</u>		
	50107	Viper ADEC radial (2)	14.00	13.50
	50107ANG	Viper ADEC Angular (2)	15.00	14.50
	10013	NSK Mach -QD, CH-QD (2)	15.00	14.00
	10014	NSK Phatelus (2)	16.00	15.00
	70101	Mytee Micron, Mini Micron (2)	16.00	15.50
		<u>W & H</u>		
	10015	W & H Nose cone (1)	13.50	13.50
	10016	W & H Top Air, 390,395,700, & 800 (2)	18.00	18.00
	9000B	W & H Top Air, 196, 896, 898 LE & 198 (1)	6.80	6.60
		<u>OTHER</u>		
	90101A	Sabra handpiece (2)	9.80	9.50
	50599	Champion "grooved" bearings (2)	18.15	17.80
	10010	Dabi Alante (MS-350) and Siemans (2)	16.00	16.00
	10101	Lynx bearing (2)	15.00	14.50
	10011	Bien-Air Prestige, Ondine, and Synee (2)	16.00	15.50
	10012	Bien-Air Black Pearl (2)	16.00	15.50
	80101	Litton Coastal (2)	16.00	16.00
	30112	Universal cannister bearings (2)	12.00	12.00
	9000A	Ney and Bien-Air lab handpiece	10.00	10.00



Various Cartridges

Price \$

Pict.	Part #	Description	1-15	16+
<u>CARTRIDGES AND CANISTERS</u>				
<u>MIDWEST</u>				
	40404/ST	Stylus Easy Care cartridge	92.00	92.00
	40404	Standard for Quiet Air with cap and radial bearings	45.00	40.00
	40404ANG	Standard for Quiet Air with cap and angular bearings	48.00	45.00
	40404PBG	Quiet Air generic push button cartridge with out cap	60.00	60.00
	40404PBGC	Quiet Air generic push button cartridge with cap	85.00	85.00
	40423	Tradition generic standard cartridge with cap and rad. brgs.	45.00	40.00
	40423ANG	Tradition generic standard cartridge with cap and ang. brgs.	48.00	45.00
	40423PBG	Tradition generic push button cartridge without cap	60.00	60.00
	40423PBGC	Tradition generic push button cartridge with cap	90.00	90.00
	40480	8000/I generic standard cartridge with cap	54.00	54.00
	40423XGT	Generic push button cartridge without cap	62.00	62.00
	40423PB/XGT	OEM push button cartridge without cap	150.00	150.00
<u>STAR</u>				
	60182	Vista generic standard cartridge without cap	45.00	43.00
	60182PB	Vista generic P.B. cartridge without cap	60.00	60.00
	60182PBLTL	Vista generic P.B. cartridge with LTL bearings without cap	82.00	82.00
	60123	Ultra generic standard cartridge without cap	35.00	30.00
	60180	Futura I & II standard cartridge without cap	30.00	28.00
	60180A	Concentric standard generic without cap	35.00	35.00
	60182PBP	Star Vista 430 PB cartridge with phenolic bearings	65.00	65.00
<u>KAVO</u>				
	10110A	Contact Air push button cartridge without cap	65.00	65.00
	10110APBGC	Contact Air push button cartridge with cap	91.00	91.00
	10110B	Super Torc generic push button cartridge without cap	65.00	65.00
	10110BPBGC	Super Torc generic push button cartridge with cap	80.00	80.00
	10101/635	635 Mira Lux push button cartridge without cap	65.00	65.00
	10101/636	636 Kavo Euro. cartridge	70.00	70.00
	10101/647	647 cartridge push button without cap	65.00	65.00
	10101/649	649 cartridge push button without cap	65.00	65.00
	10101/650	650 cartridge push button without cap	65.00	65.00
	10101/GF	Kavo Gental Force turbine without cap	65.00	65.00
	10101/625FG	Kavo 625C friction grip cartridge	72.00	72.00
	10101/625CD	Kavo 625CD cartridge	92.00	92.00
	10101-6500	Kavo 6500 cartridge	65.00	65.00
<u>CANISTERS:</u>				
	30303	Standard canister	16.00	16.00
	30303S	Supergrade canister	40.00	40.00
	30303A	Mini canister	30.00	27.00
	30303PB	Push button canister without cap standard	60.00	60.00
	30303PBC	Push button canister with cap standard	80.00	80.00





Various Cartridges (continued)

Price \$

Pict.	Part #	Description	1-15	16+
		<u>CARTRIDGES AND CANISTERS CONTINUED</u>		
		<u>LARES</u>		
	50122	Generic push button cartridge for small 557	74.00	
	50123	Generic push button cartridge for large 757	74.00	
		<u>NSK</u>		
	80000	OEM Viper push button with red impeller	150.00	
	80000A	Generic Viper pushbutton with red impeller	75.00	
	80001A	Generic Viper push button with blue impeller	92.00	
	80002A	Generic Viper push button with black impeller	150.00	
	9000S	Triple Port spray canister Mach Lite Mini	90.00	
	9000NL85	Triple Port spray canister for NSK NL85	80.00	
	9000X	NSK NL 95S Standard Push button	90.00	
	9000V	NSK NL 65M mini cartridge single spray	78.00	
	9000W	NSK NL 45/65 standard	93.42	
	9000NL85T	NSK NL85 Torq	90.00	
		<u>MICRO MOTORS:</u>		
	9000LH700	Triple Port spray canister for Micro Motor LHS 700	90.00	
	9000LH730	Triple Port spray canister for Micro Motro LHS 730	90.00	
		<u>W & H:</u>		
	90001	W & H small for 200/300 Mini	89.00	
	90002	W & H small for 200/300 Standard	93.00	
	90004	W & H large (clear) latest new style Trend	60.00	
	90005	W & H /ADEC 396,796,896	60.00	
	90006	W & H /ADEC Synea TA 98 (all styles)	60.00	
	90006A	W&H stepped 696	92.00	
	50107PB	Push button cartridge for Synea large	60.00	
	50107PBS	Push button cartridge for Synea Small	60.00	
		<u>SIEMANS:</u>		
	90007	Small head handpiece TM-1	95.00	
	90007A	Head handpiece T-IS	60.00	
		<u>BIEN AIR AND DABI ALANTE:</u>		
	90010	Bein Air Black Pearl	65.00	
	90011	Bein Air Ondine	65.00	
	90012	Bein Air Prestige	81.00	
	90013	Bein Air Bora	65.00	
	90014	Dabi Alante MS350	60.00	
		<u>SAFECO:</u>		
	90018	Cartridge to fit Safeco Excel handpiece	65.00	
		<u>IMPACT AIR</u>		
	90000	Impact Air 45 turbine w/ back cap	85.00	
		<u>Sirona T2/T3/TC3</u>		
	TC-Racer	T2/T3 cartridge	93.42	
	TC3	Sirona TC3 Control Turbine	110.00	



Generic Push Button Spindle/Chuck /Impeller

Price \$

Pict.	Part #	Description	1-15	16+
		<u>Push Button Spindle/ Chuck with Impeller:</u>		
		<u>KAVO</u>		
	10116AMT	Kavo large for 647/649/650 w/impeller	45.00	
	10115MT	Kavo small for 639B/639C/642B/645B/632D/632F	39.00	
	10115APBLM	Kavo Small for 635	39.00	
		<u>MIDWEST</u>		
	40411L	Midwest Quiet Air w/impeller	42.00	
	40411PBFL	Push button flanged spindle for Quiet Air	51.00	
	40497LMT	Midwest Tradition spindle w/impeller	39.00	
	40497PBFSMT	Push button flanged spindle for Tradition	42.00	
	40497XGT	Midwest XGT	42.00	
		<u>LARES</u>		
	50116	Lares small	50.00	
	50116A	Lares large	50.84	
		<u>STAR</u>		
	60182PBCSMT	Star 430	39.00	
	60182GOLD	Star autochuck for daily lube	39.00	
		<u>NSK & CANISTERS</u>		
	30303PBL	Universal push button spindle/chuck without impeller	30.00	
	30303PBCS	Japanese (universal)	30.00	
	30303VR	NSK Universal for Viper w/ red Impeller (small)	40.00	
	30303VB	NSK Universal for Viper w/ blue impeller (medium)	30.00	
	30303VN	NSK Universal for Viper w/ black impeller (large)	30.00	
	30303SS/CK	Supergrade spindle/ chuck w/impeller	39.00	
		<u>BEIN AIR</u>		
	9503SPCK/IMP	Bein-Air Bora	49.00	
	9502SPCK/IMP	Bein -Air Prestige	49.00	
	9501SPCK/IMP	Bein- Air Ondine	49.00	
	9500SPCK/IMP	Bein-Air Black Pearl	49.00	
	9502FGSP	Friction grip spindle for large head w/impeller	30.00	
		<u>W & H</u>		
	9003SPCK/IMP/S	W & H large ADEC Topair/Sabra large 397	42.00	
	50107C	For new Synea W & H large	39.00	
	50107D	For Synea small head TA96	50.00	
		<u>SIEMANS</u>		
	80001B	Siemans Small TM1	39.00	
	80002B	Siemans TS1	39.00	
		<u>DABI ALANTE</u>		
	80003B	Dabi- Alante MS350	42.00	
		<u>ADEC & SABRA</u>		
	9006PB898	Old Style Sabra Large Head	42.00	
	9006PB896	ADEC 896 Handpiece	42.00	



Generic Push Button Spindle/Chuck---Continued

Price \$

Pict.	Part #	Description	1-15	16+
		<u>Push Button Spindle/Chuck without Impeller:</u>		
	9500	Bein-Air Black Pearl	28.00	
	9501	Bein-Air Ondine	39.00	
	9502	Bein-Air Prestige	39.00	
	30303HPS	For Healthco Push and Swivel	39.00	
	9001PB/S	W & H RED TC80 and Bein Air FG spindle	65.00	
	9003PB	W & H for ondine 805 and 395, Sabra BD	38.00	
	9003PB/S	W & H large	40.00	
	40497PBLM	Midwest Tradition	45.00	
	40497PBFL	Flanged Spindle for Midwest Tradition	48.50	
	40411PBFL	Flanged Spindle for Midwest Quiet Air	51.00	
	40411PBL	Midwest Quiet Air	35.00	
	40497PBFSMT	Midwest Tradition flanged spindle	42.00	
		<u>Friction Grip Spindles:</u>		
	10115FGSP	Kavo small head 632 Bella Torque	37.00	
	9500FGSP	Bein Air Small Ondine	28.00	
	60182PBLM	Star 430 spindle/chuck	35.00	





Friction Grip Spindle/Chucks & Various Impellers

Price \$

Pict.	Part #	Description	1-15	16+
		<u>Various Impellers</u>		
	8000AI	Viper small (red)	8.50	
	80001AI	Viper medium (blue)	8.50	
	80002AI	Viper large (black)	8.50	
	9000IMP	W & H small (grey)	n/a	
	9001IMP	W & H old style (red) Sabra/Black Diamond	n/a	
	9007IMP	W&H Synea Large	n/a	
	9005IMP	Siemans small (clear) TM1	8.50	
	9005STIMP	Seimans T-1S (clear)	8.50	
	9504IMP	Dabi Atlante (clear) MS 350	n/a	
	9505IMP	Castellini large	n/a	
	40498	Impeller for Midwest Tradition	6.00	5.75
	40412A	Impeller for Midwest Quiet Air Push Button	6.00	5.75
	40412	Impeller for Midwest Quiet Air wrench type	5.50	5.00
	40498XGT	Impeller for Midwest XGT	6.00	5.50
	50115	Impeller for Lares Small 557 (one piece)	7.50	7.00
	50115A	Impeller for Lares Large 757 (one piece)	8.50	8.00
	30113	For Standard Cannister	5.00	4.50
	60116	For Star Vista	7.00	6.50





Generic Push Button Back Caps

Price \$

Pict.	Part #	Description	1-15	16+
	10113A	639B,639C,642B,642C,645B,645C	35.00	
	10113B	Cap for Kavo 635	30.00	
	10114	Cap for Kavo 632,632,642	35.00	
	10114A	Cap for Kavo <u>Euro</u> 630,640B	35.00	
	10114B	Cap for Kavo Large head630B,625	38.00	
	10114C	Cap for Kavo 647,649,& 650	35.00	
	30303PBCAP	Cap for Push Button Canister	16.00	
	40408PB	Cap for Midwest Quiet Air	25.00	
	40415TGTX	Cap for Midwest XGT	32.00	
	60182LFC	Cap for Star 430	30.00	
	40415PB	Push button cap for Midwest Tradition	25.00	
	50118	Back cap for Lares 557	22.00	
	50119	Back cap for Lares 757		




Various Wrenches

Price \$

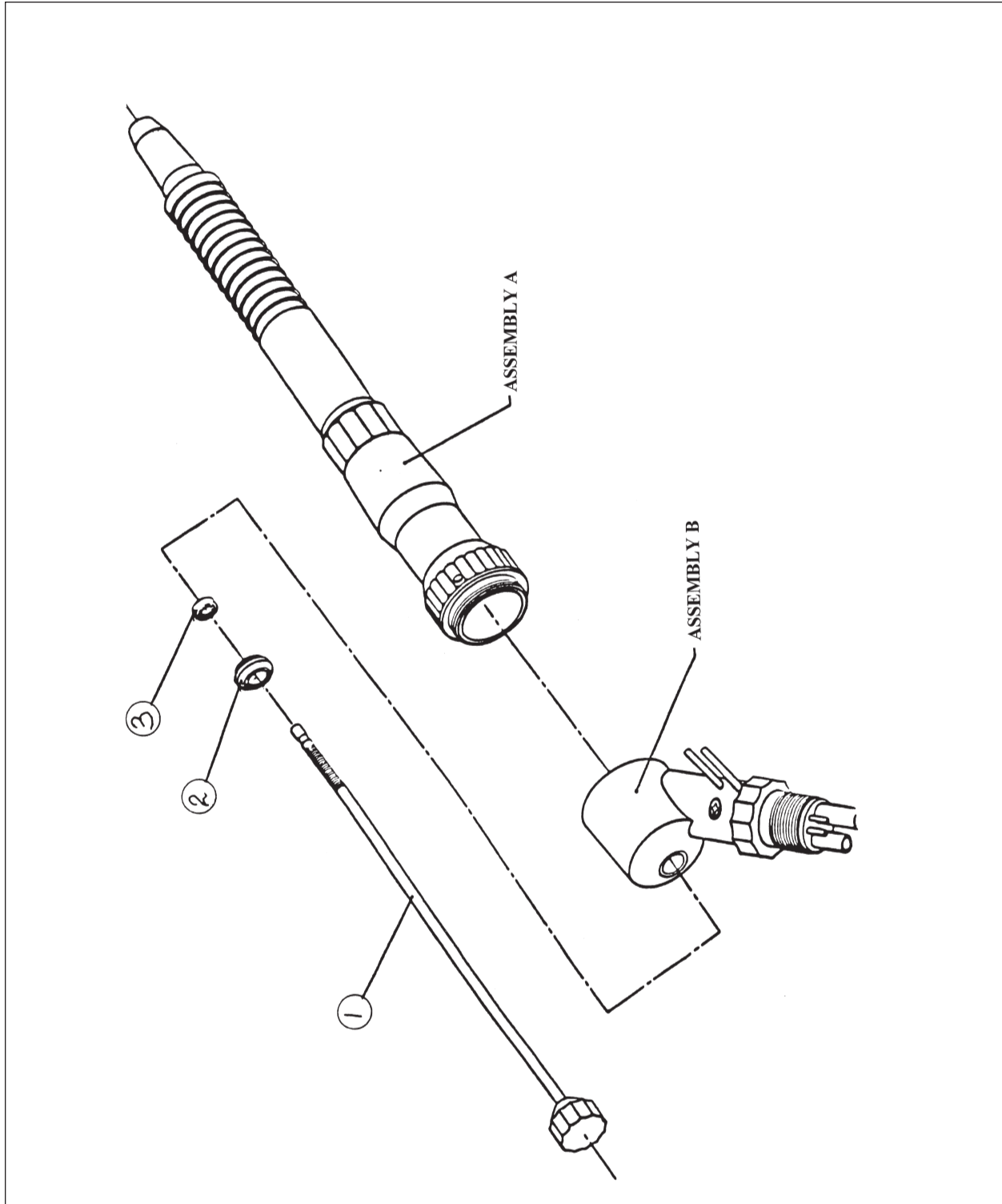
Pict. Part #	Description	1-15	16+
40402	For Midwest Quiet Air Wrench	5.00	4.50
40402A	Adjustable Wrench for Midwest Quiet Air	16.50	16.50
40402SHAFT	Center shaft for adjustable wrench	1.60	1.60
40413	For Midwest Tradition/ 8000 Wrench	7.00	6.50
40413A	Adjustable Wrench for Midwest Tradition and 8000 Handpiece	16.50	16.50
30104H	Universal Wrench Hex.	6.50	6.00
30104S	Universal Wrench Square	6.50	6.00
40402MINI	Adjustable Wrench for Midwest Mini Cartridge	22.00	22.00
10112	Kavo Push Button capr wrench for large and small	10.00	10.00
1012A	Kavo cap tool for 635/647/649/650/600	10.00	10.00
10112-68G	Kavo cap tool for 68G	45.00	45.00
10112-68LH	Kavo cap tool for 68LH	50.00	50.00
10112B	Kavo OEM cap wrench for Contact Air and Supertorc	2.50	2.50
40408XGT	Cap wrench for Multiple handpieces	2.50	2.50



Lubricants

Picture	Part No.	Description	Quantity	
			1-11 Price	12+ Price
1	002	<p>European Handpiece Lubricant <i>This product is uniquely formulated to lubricate all high speed handpieces and is packaged in a refill style can to save the dentist the added cost of buying unneeded dispenser adapters with each can of lubricant. Net contents 11.7oz.</i></p>	\$7.60	\$6.95
				
2	001	<p>Once a Day High Speed Cleaner and Lubricant <i>The same product as European Handpiece Lubricant. However, the can has a conventional spray nozzle and tube. Can also be used with angle attachments and hinged instruments. Net contents 8.8oz.</i></p>	\$5.00	\$4.50
3	004	<p>Premium Slow Speed Autoclavable Grease</p> <ul style="list-style-type: none"> •Unsurpassed Ball Bearing Grease •Certified as a factory O.E.M. motor bearing grease •Operating Temp -22F to 350F •Use on slow speed handpieces, nosecones, and other attachments 	\$5.00	\$5.00
4	QD2000	<p>QD 2000 Highspeed Oiler and Cleaner Pens This product is a very high quality oiler and cleaner. The oiler pen is excellent for dispersing the product in small places. Great for highsPEEDS and slowsPEEDS. 1/4 o.z. pens. The lubricant is the same as the Once-A- Day and European style lubricant.</p>	\$4.25 EA.	12+\$4.00 36+ \$3.75

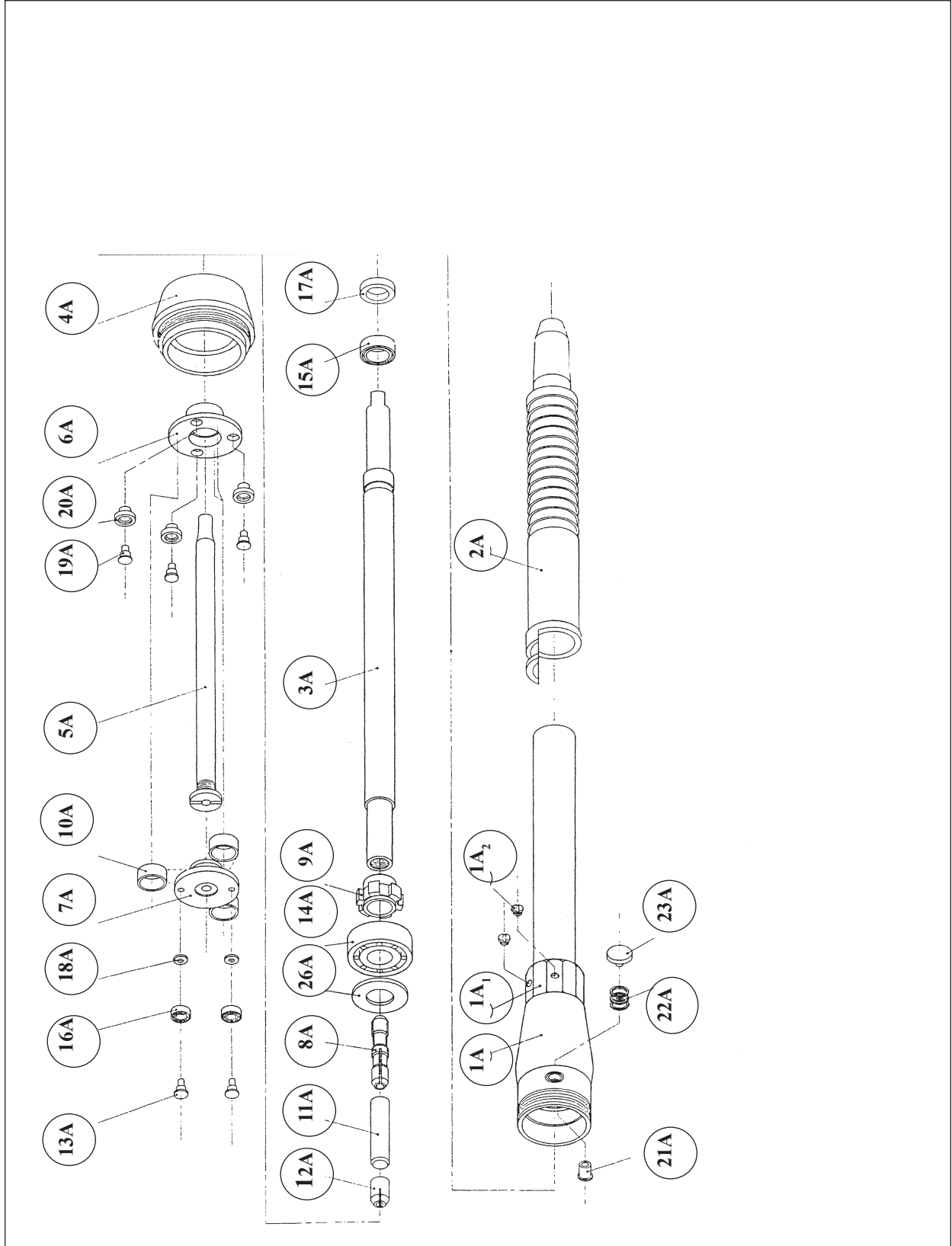
MIDWEST TRUE TORC I *(Sub Assemblies)*



QUALITY DENTAL SERVICES CORP. 800 543-4408

MIDWEST TRU TORC I

Sub Assembly A





Midwest Tru Torc I (Sub Assemblies and Sub Assembly A)

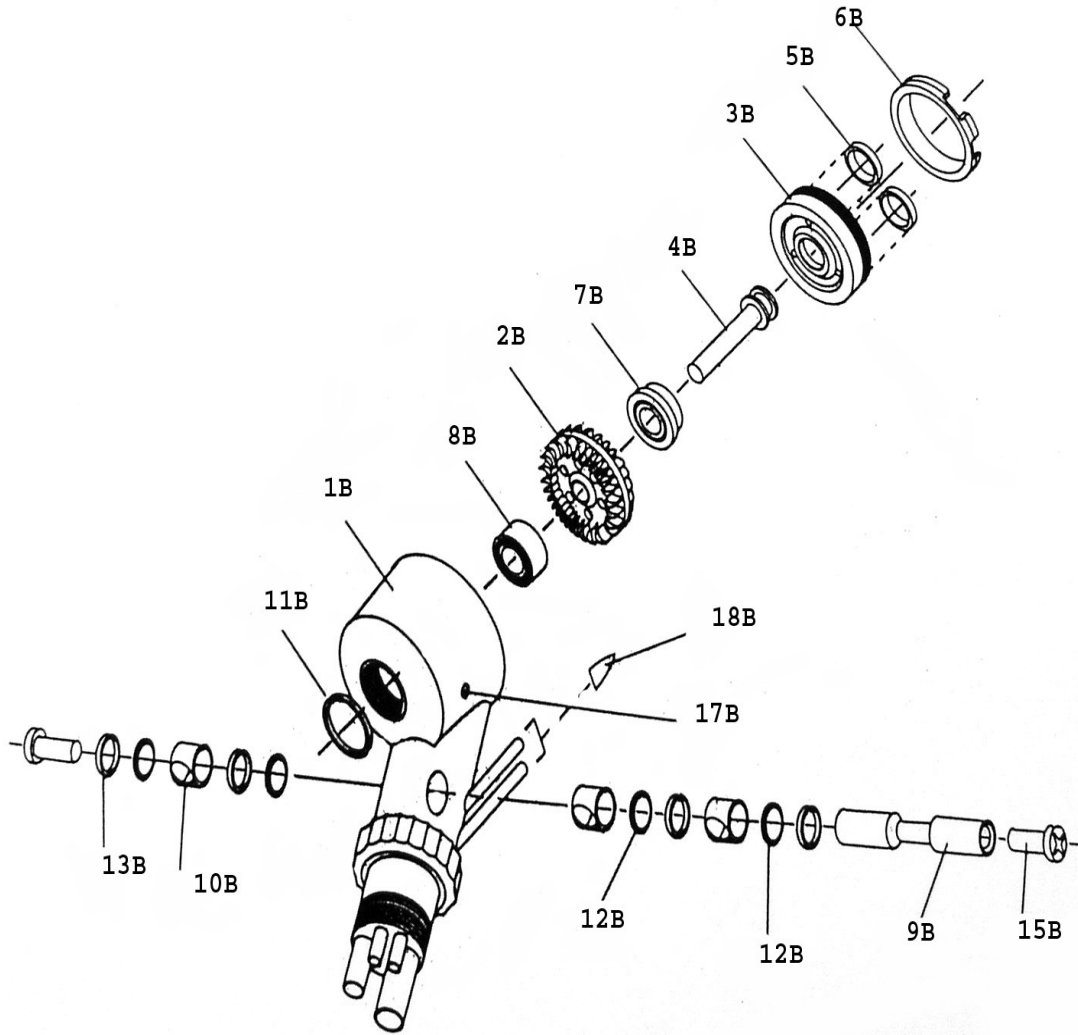
Price \$

Pict.	Part #	Description	1-15	16+
<u>Sub Assemblies</u>				
1	40441	Tightening Rod	6.00	5.75
1	40441A	Tightening Rod for Berco Hygenists model	12.00	12.00
2	40450	Bearing Nut	3.00	3.00
3	40431	Tightening Rod Bearing	8.50	8.50
<u>Midwest TruTorc I Sub Assembly A</u>				
1A	40462	Spindle Housing	9.00	9.00
2A	40490	Sheath (Stainless Steel)	20.00	20.00
3A,9A	40492	Main Spindle w/Lock Button Stop	52.00	52.00
4A	40493B	Clutch Housing	38.00	38.00
5A	40494	Spindle Bolt	27.00	27.00
6A	40437CA	Clutch Assembly w/Posts & Bushings	38.00	38.00
6A	40437C	Clutch 1 Speed	20.00	20.00
7A	40437A	Drive Ring Spindle Assembly 1 & 2 Speed	26.00	26.00
7A	40437AA	Drive Ring Assembly w/ Posts and Bearings	48.00	48.00
8A	40440	TruTorc Chuck 3/4" Long	12.00	12.00
8a	40440A	Tru Torc Chuck 18/16" long	12.00	12.00
9A	40449D	Lock Button Stop only	10.25	10.25
10A	40437	Wide Drive Rings (pkg. 3)	9.00	9.00
11A	40447	Chuck Compressor 3/4" or 15/16" long	4.00	3.50
12A	40447A	Tightening Rod Retainer	5.00	5.00
13A	40451	Drive Ring Bearing Post	1.75	1.75
14A	40432	Rear Spindle Bearing	6.50	6.50
15A	40430	Front Spindle Bearing	10.60	10.60
16A	40435	Drive Ring Bearing	8.50	8.50
17A	40452	Main Spindle Bushing	1.95	1.95
18A	40453	Drive Ring Bearing Post Washer	1.25	1.25
19A	40460	Drive Dog Post (pkg. 3)	6.00	6.00
20A	40461	Drive Post Bushing (pkg. 3)	4.50	4.50
1A ₁	40463	Sheath Lock collar	6.00	6.00
	40463B	Sheath Lock Bushing (not shown)	19.00	19.00
1A ₂	40444	Sheath Collar Screw	1.75	1.75
1A ₃	40463A	C-Shaped Sheath Lock (not shown)	7.75	7.75
	40464D	Motor Housing Shim (not shown)	2.50	2.50
	40495	Transmission Shaft w/ Lock Button (not shown)	50.00	50.00
	40464D2	Trutorc Shim Small .002 (not shown)	2.50	2.50
	40464D5	Trutorc Shim Med. .005 (not shown)	2.50	2.50
21A,2 A,	40502D	Lock Button Kit for Shorty	10.50	10.50
23A				
26A	40464	Thrust Washer	1.25	1.25



MIDWEST TRU TORC I

SUB ASSEMBLY B



QUALITY DENTAL SERVICES CORP. 800 543-4408



Midwest TruTorc I (Sub Assembly B)

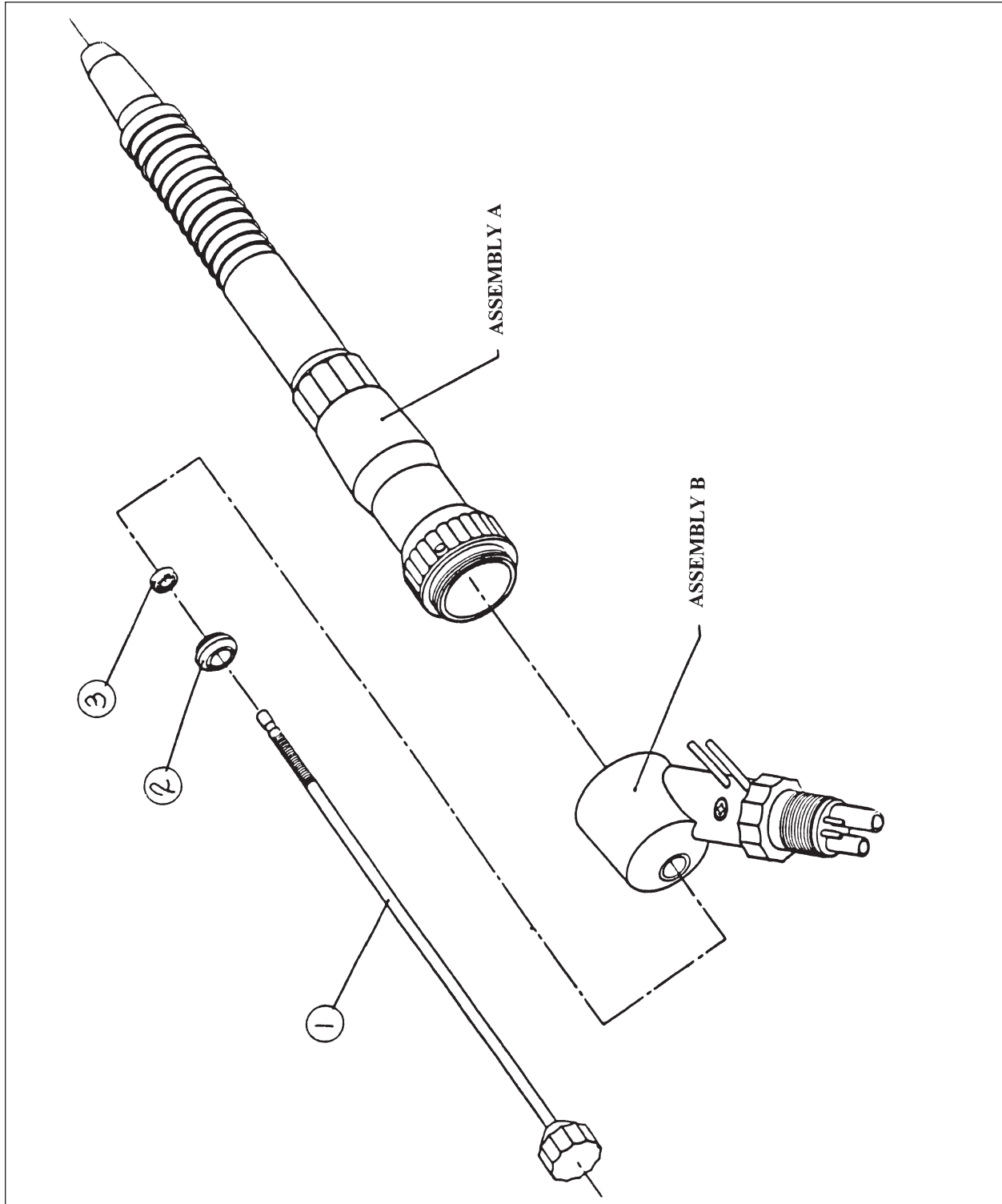
Price \$

Pict. Part #		Description	1-15	16+
1B	40424	Upper Turbine Housing Only (1 speed) (including Directional Valve)	95.00	95.00
2B	40454	Turbine Impeller	20.00	20.00
3B	40446	Turbine Raceway (1 speed)	35.00	35.00
4B	40442	Hi-Speed Spindle	12.00	12.00
5B	40438	Narrow Drive Rings (pkg. of 2)	6.00	6.00
6B	40446C	Turbine Retainer	9.25	9.25
7B	40433	Front Turbine Bearing	9.75	9.75
8B	40434	Rear Turbine Bearing	4.60	4.40
9B	40458	Directional Slide Valve only Complete	25.00	25.00
	40458A	Slide Valve Inserter Tool (1 Time Purchase)	18.00	18.00
	40458B	Slide Valve Remover Tool (1 Time Purchase)	20.00	20.00
10B		Directional Valve (not needed see 9B)		
11B	40455	Upper Turbine Housing 'O' Ring	.35	.25
12B	40456	Directional Switch 'O' Ring	.75	.55
15B	40457	Directional Switch Slide Screw	1.25	1.25
17B	20115	Set Screw	.50	.50
18B	40424C	Air/Water Cap	.15	.12
	20115A	Set screw allen wrench for housing	1.00	1.00



MIDWEST TRU TORC II

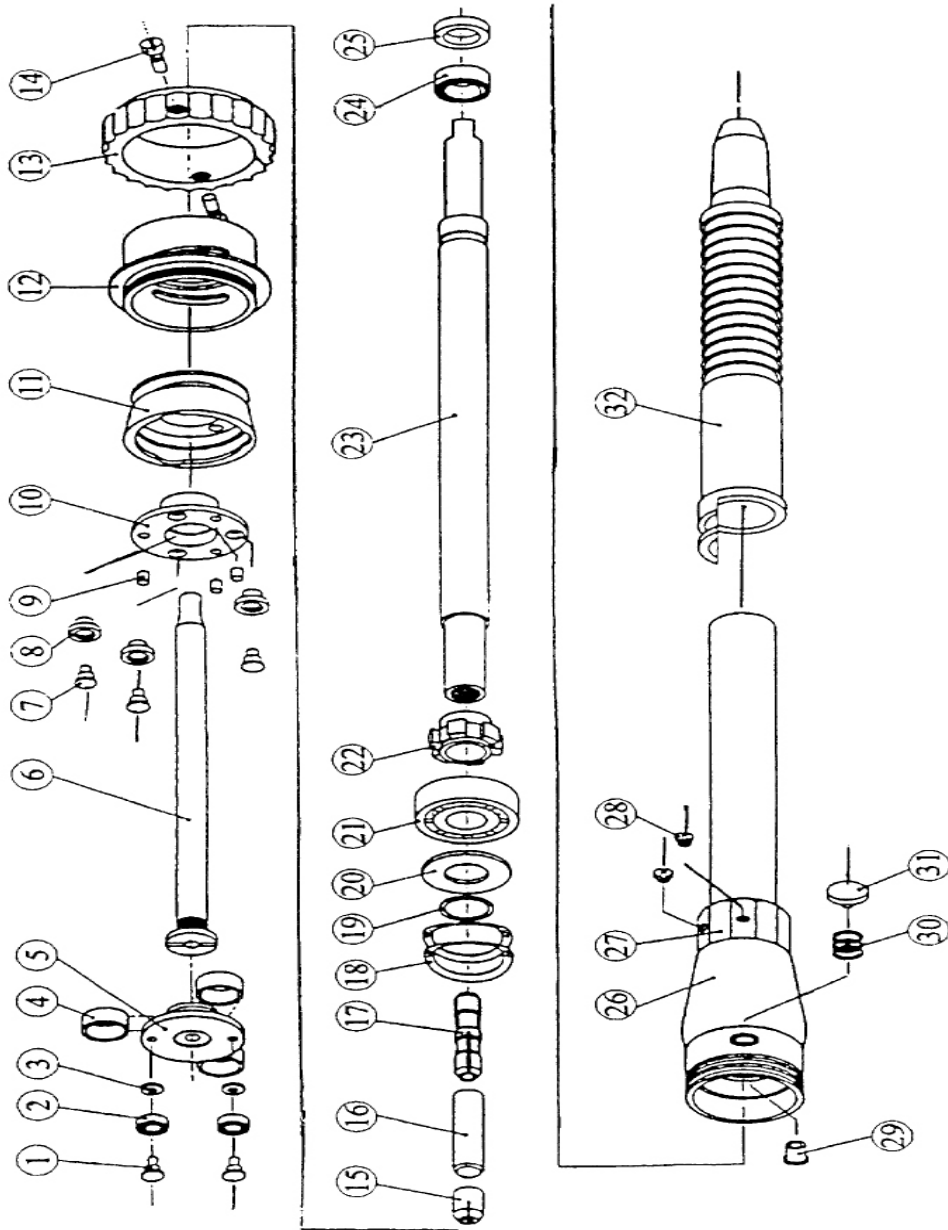
Sub Assemblies



QUALITY DENTAL SERVICES CORP. 800 543-4408

MIDWEST TRUTORC II

Sub Assembly A





Midwest TruTorc II speed (Sub assembly A)

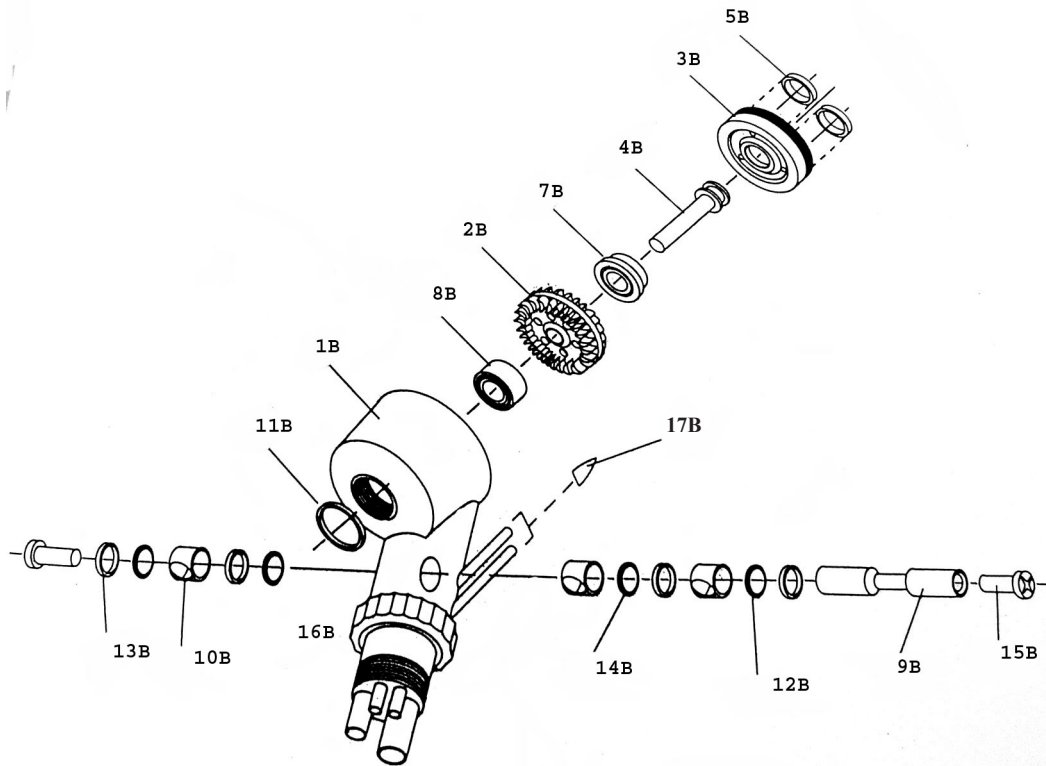
Price \$

Pict. Part #		Description	<u>SUB ASSEMBLIES</u>	1-15	16+
1	40441	Tightening Rod		6.00	5.75
2	40450	Bearing Nut		3.00	3.00
3	40431	Tightening Rod Bearing		8.50	8.50
<u>SEE MW TRU TORC (2 SPEED) PICT: A</u>					
26	40462	Spindle Housing		9.00	9.00
32	40490	Sheath (Stainless steel)		20.00	20.00
22,23	40492	* Main Spindle with Lock Button Stop		52.00	52.00
12	40493A	Transmission Housing		55.00	55.00
6	40494	Spindle Bolt		27.00	27.00
10	40437BA	Clutch Assembly w/Post & Bushings & Pins		44.00	44.00
10	40437B	2 speed Roller Drive Dog		18.00	18.00
5	40437AA	Drive Ring Spindle Assembly w/ Posts and Bushings		48.00	48.00
5	40437A	Drive Ring Spindle		26.00	26.00
11	40493	Clutch		50.00	50.00
13	40443A	Speed Change Ring		17.00	17.00
17	40440	Chuck for Trutorc 3/4" long		12.00	12.00
17A	40440A	Trutorc Chuck 13/16" long		12.00	12.00
23	40492	*See Main Spindle includes part #22		52.00	52.00
16	40447	Chuck Compressor 3/4" or 15/16"		4.00	3.50
15	40447A	Tightening Rod Retainer		5.00	5.00
29,30,31	40502D	Lock Button Kit for Shorty		10.50	10.50
4	40437	Wide Drive Ring (pkg. 3)		9.00	9.00
1	40451	Drive Ring Bearing Post		1.75	1.75
14	40443	Speed Change Collar Screw		1.50	1.50
21	40432	Rear Spindle Bearing		6.50	6.50
24	40430	Front Spindle Bearing		10.60	10.60
2	40435	Drive Ring Bearing		8.50	8.50
18	40448	Loading Spring		.75	.75
25	40452	Main Spindle Bushing		1.95	1.95
	40463B	Sheath Lock Bushing (not shown)		19.00	19.00
20	40464	Thrust Washer		1.25	1.25
19	40464B	Metal Shim		1.25	1.25
3	40453	Drive Ring Bearing Post Washer		1.25	1.25
9	40459	Drive Dog Pin		2.75	2.50
7	40460	Drive Dog Post (pkg.of 3)		6.00	6.00
8	40461	Drive Post Bushing (pkg.of 3)		4.50	4.50
27	40463	Sheath Lock Collar		6.00	6.00
28	40444	Sheath Collar Screw		1.75	1.75
	40463A	C Shaped Sheath Lock (not shown)		7.75	7.75
	40464D	Motor Housing Shim (.010)		2.50	2.50
	40464D2	.002 shim for Tru Torc		2.50	2.50
	40464D5	.005 shim for Tru Torc		2.50	2.50
	40495	Transmission Shaft w/Lock Button (not shown)		50.00	50.00



MIDWEST TRU TORC II SPEED

Assembly B





Midwest TruTorc 2 Speed (Assembly B)

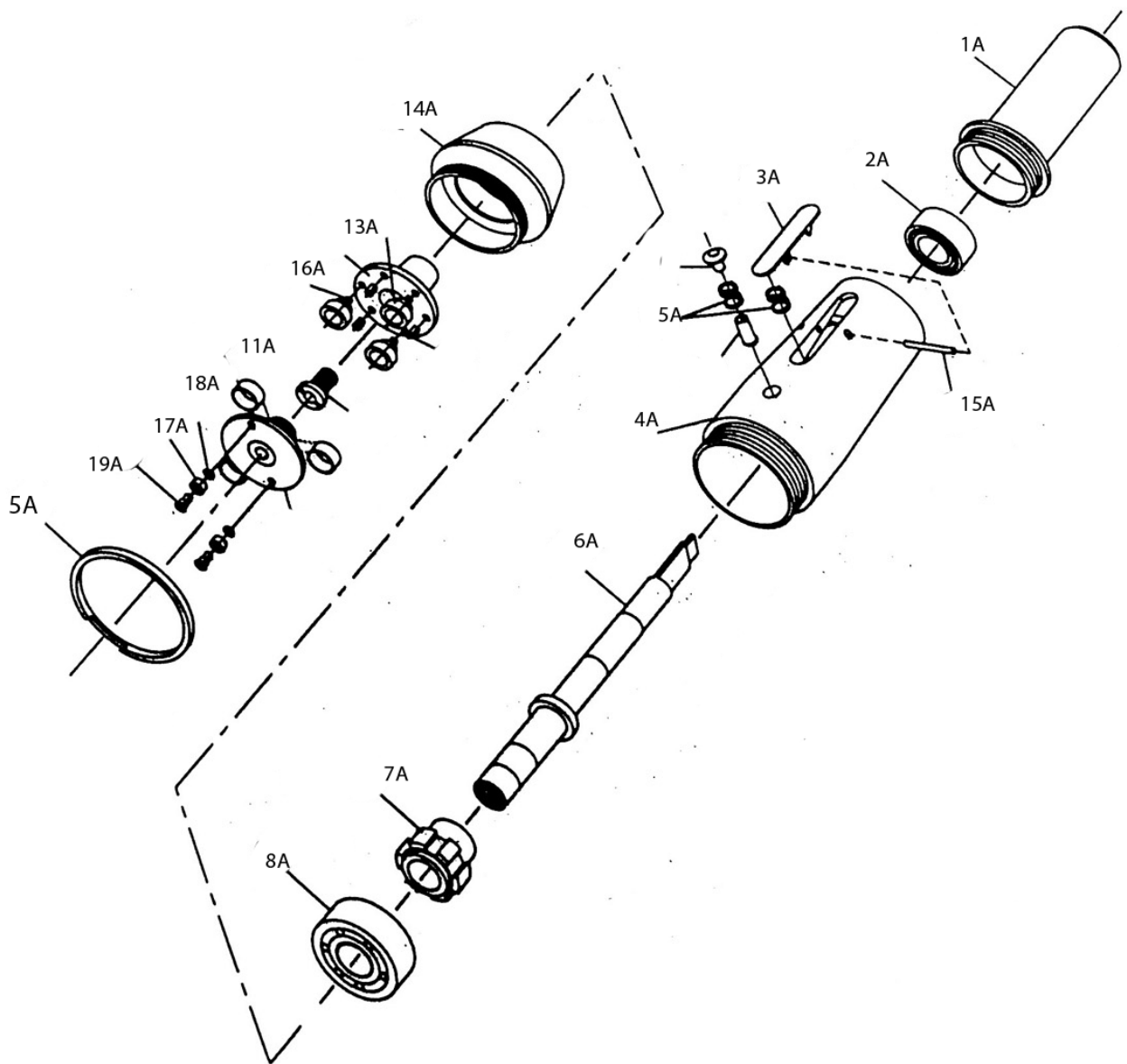
Price \$

Pict. Part #		Description	1-15	16+
1B	40424A	Upper Turbine Housing 2 Speed (including Directional Valve)	95.00	95.00
2B	40454	Turbine Impeller	20.00	20.00
3B	40446A	Turbine Raceway 2 Speed	41.00	41.00
4B	40442	Turbine Spindle	12.00	12.00
5B	40438	Narrow Drive Ring (pkg. of 2)	6.00	6.00
7B	40433	Front Turbine Bearing	9.75	9.75
8B	40434	Rear Turbine Bearing	4.60	4.40
13B,10B 12B,14B, 15B	40458	Directional Slide Valve Only Complete	25.00	25.00
11B	40455	Upper Housing 'O' Ring	.35	.25
12B	40456	Directional Switch 'O' Ring	.75	.55
		Directional Valve Retainer (not needed see 13B)		
		Directional Valve Shim (not needed see 13B)		
15B	40457	Directional Switch Slide Screw	1.25	1.25
16B	40501	Vent Plug	5.00	5.00
17B	40424C	Air/Water Cap	.15	.12



MIDWEST SHORTY 1 SPEED

Sub Assembly A



QUALITY DENTAL SERVICES CORP. 800 543-4408



Midwest Shorty 1 Speed (Sub Assembly A)

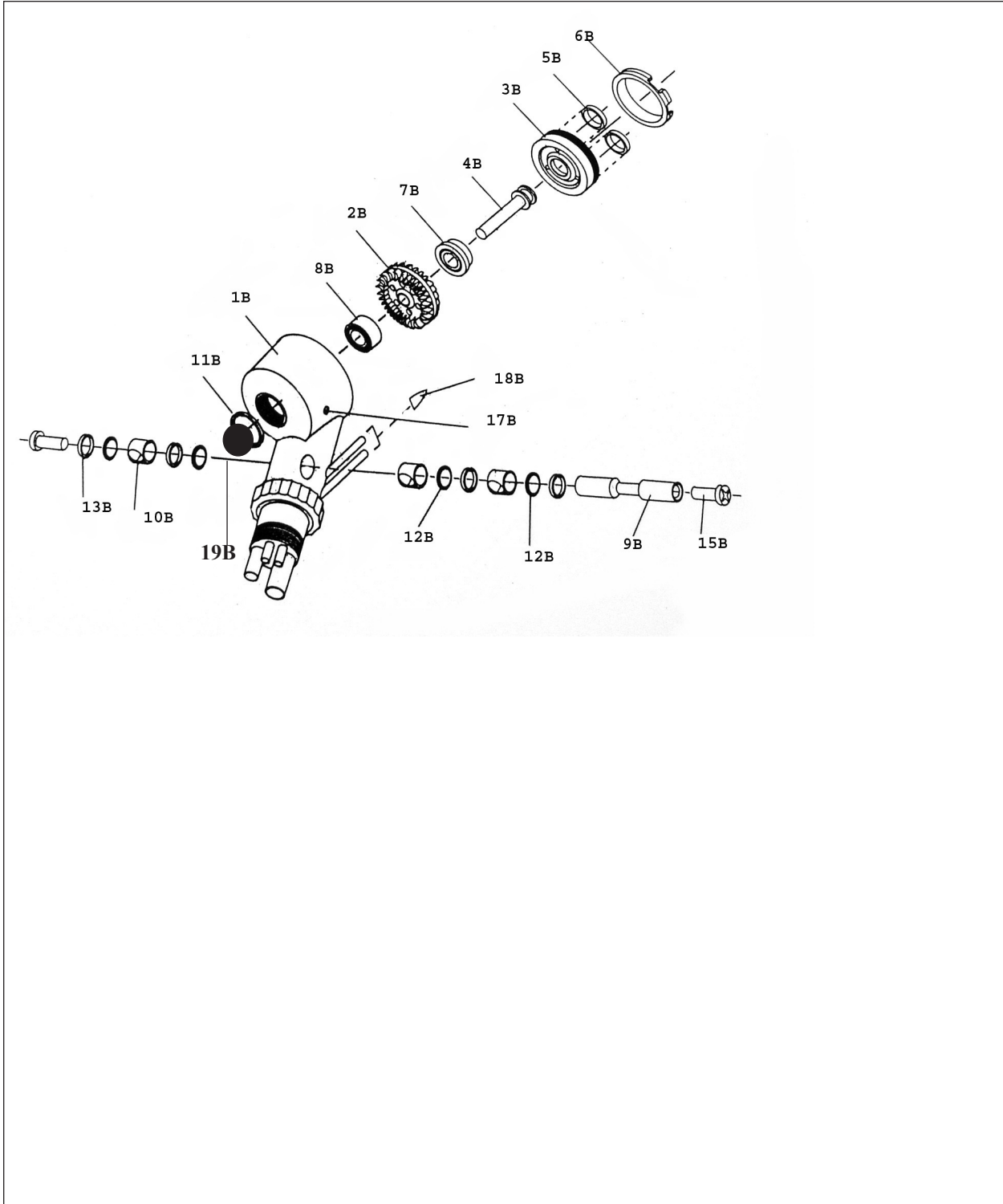
Price \$

Pict. Part #		Description	1-15	16+
1A	40449B	Nose	29.00	
2A	40436	Front Spindle Bearing	9.75	
3A	40482	Latch Only	11.00	
4A	40462A	Sheath Housing (without hole)	57.00	
4A	40462B	Sheath Housing (with hole)	60.00	
5A	40502D	Spindle Lock Button Kit	10.50	
6A	40449	Spindle Only	21.00	
6A,7A	40449C	Spindle with Lock Collar	40.00	
7A	40449D	Lock Button Stop	10.25	
8A	40432	Rear Spindle Bearing	6.50	
9A	40446C	Turbine Retainer Ring	9.25	
10A	40437A	Drive Ring Spindle	26.00	
10A	40437AA	Drive Plate w/posts, washers,& bearings	48.00	
11A	40437	Wide Drive Ring (pkg. of 3)	7.00	
13A	40437C	Clutch	20.00	
13A	40437CA	Clutch Assembled w/posts & bushings	38.00	
15A	40502E	Lock Pin for Midwest Shorty	3.00	
16A	40461	Drive Post Bushing (3)	4.50	
19A	40451	Drive Ring Bearing Post	1.75	
17A	40435	Drive Ring Bearing	8.50	
18A	40453	Drive Ring Bearing Washer	1.25	
19A	40460	Drive Dog Post (3)	6.00	



MIDWEST SHORTY 1 SPEED

Sub Assembly B



QUALITY DENTAL SERVICES CORP. 800 543-4408



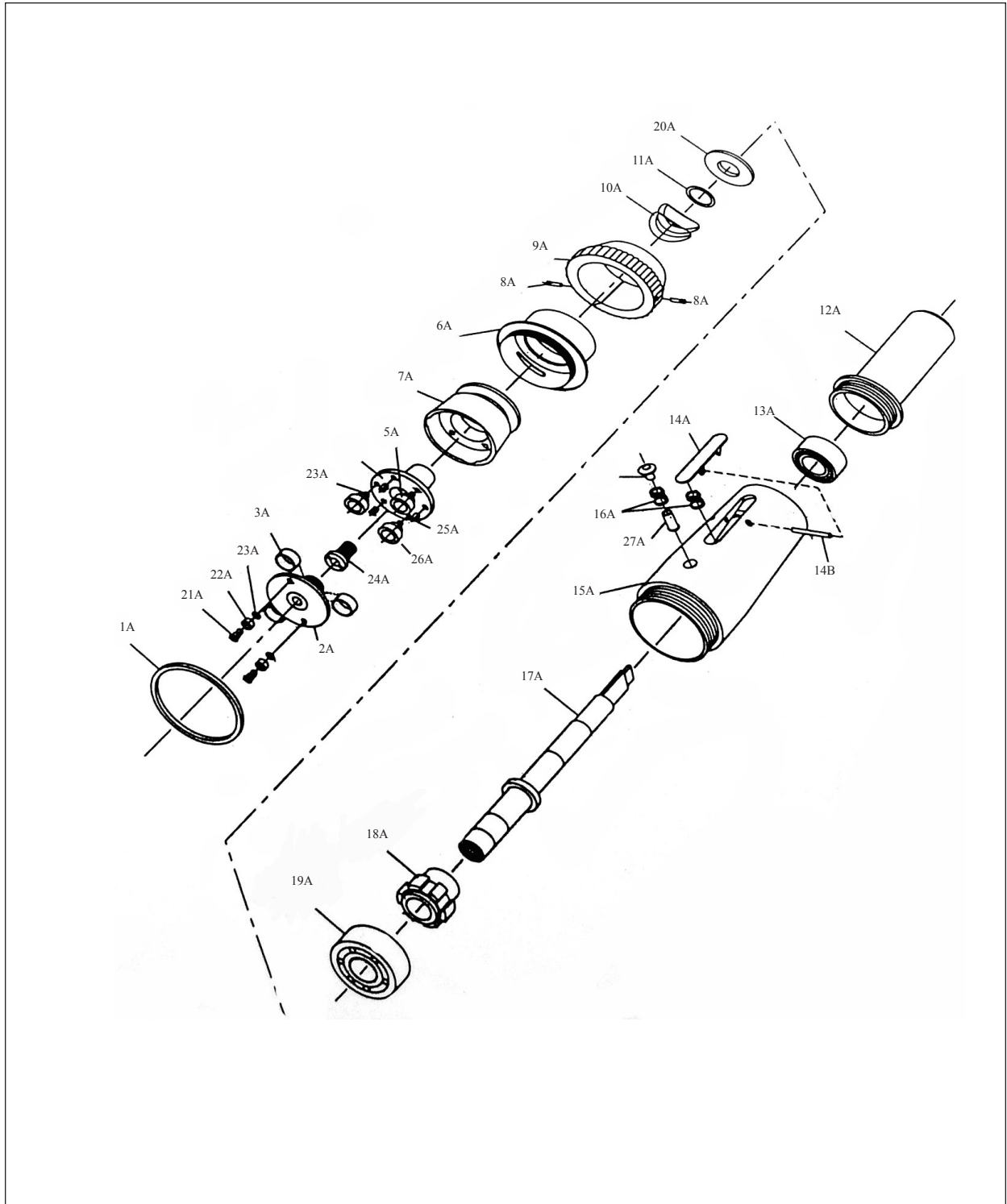
Midwest Shorty 1 Speed (Sub Assembly B)

Price \$

Pict. Part #		Description	1-15	16+
1B	40424	Upper Turbine Housing only 1 speed (including Directional Valve)	95.00	95.00
2B	40454	Turbine Impeller	20.00	20.00
3B	40446	Turbine Raceway 1 speed	35.00	35.00
4B	40442	Hi Speed Spindle	12.00	12.00
5B	40438	Narrow Drive Ring (pkg. of 2)	6.00	6.00
6B	40446C	Turbine Retainer	9.25	9.25
7B	40433	Front Turbine Bearing	9.75	9.75
8B	40434	Rear Turbine Bearing	4.60	4.40
9B,10B, 12B,13B, 15B	40458	Directional Slide Valve only (complete)	25.00	25.00
	40458A	Slide Valve Inserter (1 Time Purchase)	18.00	18.00
	40458B	Slide Valve Remover Tool (1 Time Purchase)	20.00	20.00
10B		Directional Valve (not needed see 9B)		
11B	40455	Upper Turbine Housing 'O' Ring	.35	.25
12B	40456	Directional Switch 'O' Ring	.75	.55
13B		Directional Valve Retainer (not needed see 9B)		
14B		Directional Valve Shim (not needed see 9B)		
15B	40457	Directional Switch Slide Screw	1.25	1.25
19B	40501	Vent Plug	5.00	5.00
17B	20115	Set Screw	.50	.50
18B	40424C	Air/Water Cap	.15	.12

MIDWEST SHORTY 2 SPEED

Sub Assembly A



QUALITY DENTAL SERVICES CORP. 800 543-4408



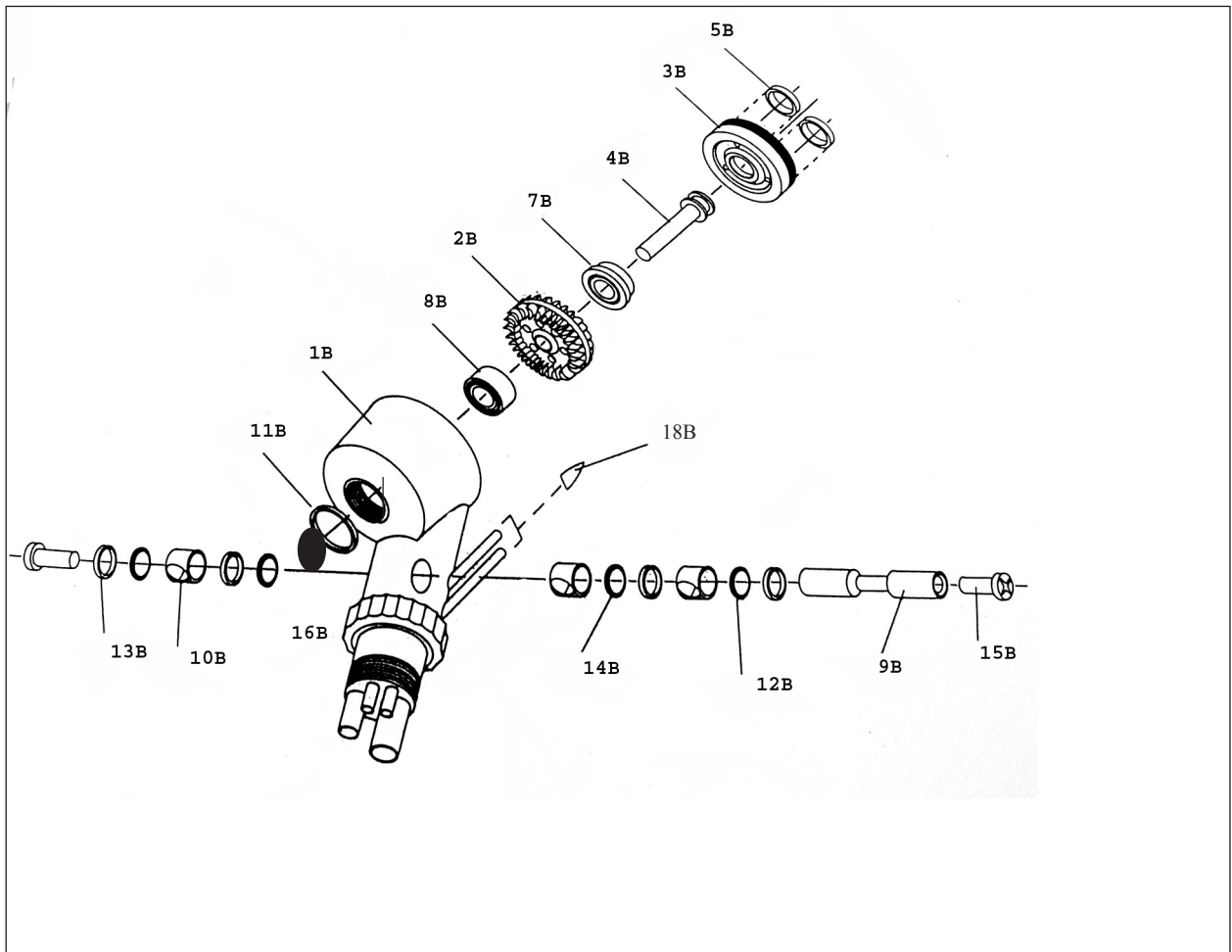
Midwest Shorty 2 Speed (Sub Assembly A)

Price \$

Pict. Part #		Description	1-15	16+
1A	40464D	Motor Housing Shim	2.50	
2A	40437A	Drive Rings Spindle	26.00	
3A	40437	Wide Drive Ring (pkg. of 3)	9.00	
2A	40437AA	Drive Ring Spindle Assembled w/ Posts,Bushings, & Bearings	48.00	
5A	40437BA	Drive Dog w/Pins,Posts, & Bushings	42.00	
5A	40437B	Drive Dog only	18.00	
7A	40493	Clutch	50.00	
6A	40493A	Transmission Housing	55.00	
8A	40443	Speed Change Screw	1.50	
9A	40443B	Speed Change Ring	17.00	
10A	40448	Loading Spring	.75	
26A	40461	Drive Post Bushing (3)	4.50	
11A	40464B	Metal Shim	1.25	
24A	40449A	Drive Shaft Spindle Screw	7.00	
12A	40449B	Nose	29.00	
18A	40449D	Lock Button Stop	10.25	
17A,18A	40449C	Spindle & Lock Button Gear	40.00	
17A	40449	Spindle Less Lock Button Gear	21.00	
13A	40436	Front Spindle Bearing	9.75	
	40503KIT	Sheath Housing Latch, Spring and Pin	22.00	
	40482	Latch Only	11.00	
	40462A	Sheath Housing (without hole)	57.00	
	40462B	Sheath Housing (with Hole)	60.00	
	40502D	Spindle Lock Button Kit	10.50	
	40432	Rear Spindle Bearing	6.50	
	40464	Thrush Washer	1.25	
	40459	Drive Dog Pin	2.75	
	40435	Drive Ring Bearing	8.50	
	40502E	Lock button for Midwest Shorty	3.00	
	40451	Drive Ring Bearing Post	1.75	
	40453	Drive Post Washer	1.25	

MIDWEST SHORTY 2 SPEED

Sub Assembly B



QUALITY DENTAL SERVICES CORP. 800 543-4408



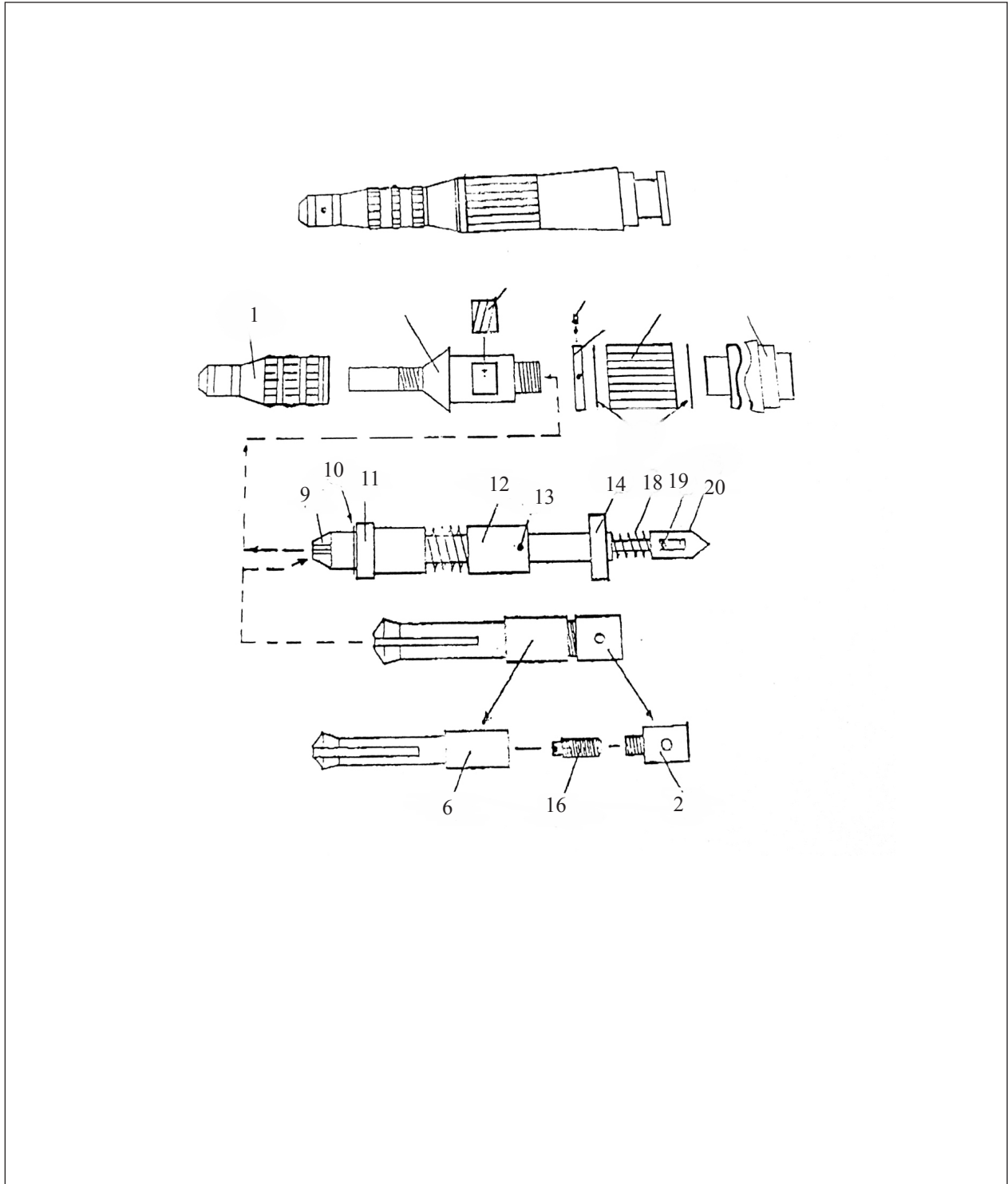
Midwest Shorty 2 Speed (Sub Assembly B)

Price \$

Pict. Part #		Description	1-15	16+
1B	40424A	Upper Turbine Housing Only (2 speed) (including Directional Valve)	95.00	
2B	40454	Turbine Impeller	20.00	
3B	40446A	Turbine Raceway (2 speed)	41.00	
4B	40442	Hi- Speed Spindle	12.00	
5B	40438	Narrow Drive Ring (pkg. of 2)	6.00	
7B	40433	Front Turbine Bearing	9.75	
8B	40434	Rear Turbine Bearing	4.60	4.40
9B,10B, 13B,14B 15B,16B	40458	Directional Slide Valve Only (special)	25.00	
11B	40455	Upper Turbine Housing 'O' Ring	.35	.25
12B	40456	Directional Switch 'O' Ring	.75	.55
15B	40457	Directional Switch Slide Screw	1.25	
16B	40501	Vent Plug	5.00	
17B	20115	Set Screw	.50	.40
	20115A	Set screw allen wrench	1.00	
18B	40424C	Air/Water Cap	.15	



MIDWEST SHORTY NOSE CONE (Redline)



QUALITY DENTAL SERVICES CORP. 800 543-4408



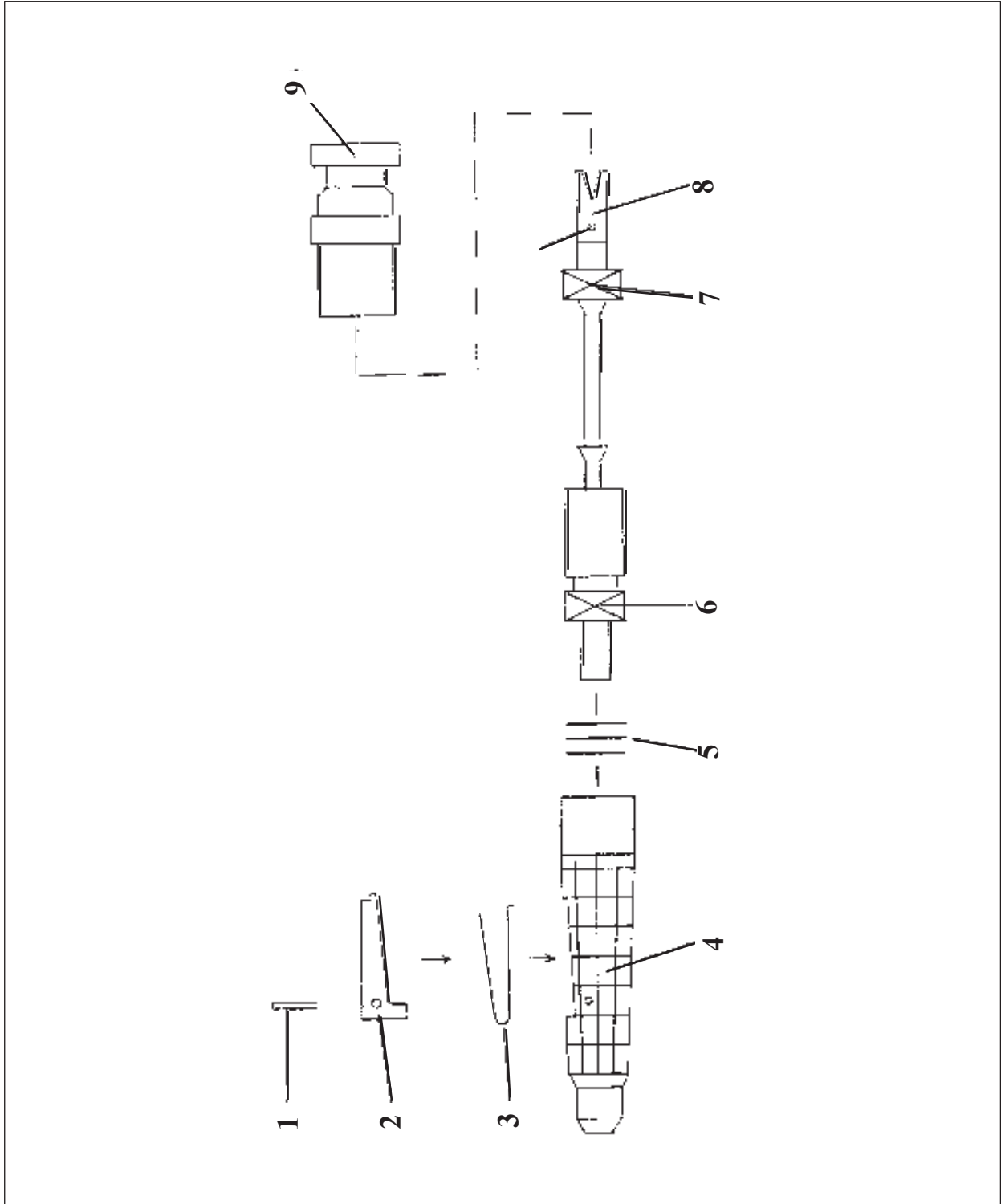
Midwest Shorty Nose Cone (Redline)

Price \$

Pict.	Part #	Description	1-15	16+
1		Nose	N/A	
2		Nose Cone Body	N/A	
	40486	Chuck/Drive Dog for Midwest RDH Handpiece	40.00	40.00
7	40491TW	Teflon Washer	1.50	1.25
8		Chuck	N/A	
9	40499	Chuck Washer	18.50	
10		Chuck Stop	N/A	
12		Pin	N/A	
13		Chuck Adjustment Screw	NA	
15	40499A	Drive Dog Spring	2.00	1.75
20	40485	Drive Dog (Slot-Hole Type)	12.00	
	1000	Nose Cone Bearing (Front)	6.00	
	1001	Nose Cone Bearing (Rear)	6.00	



MIDWEST SHORTY NOSE CONE (LATCH TYPE)



QUALITY DENTAL SERVICES CORP.



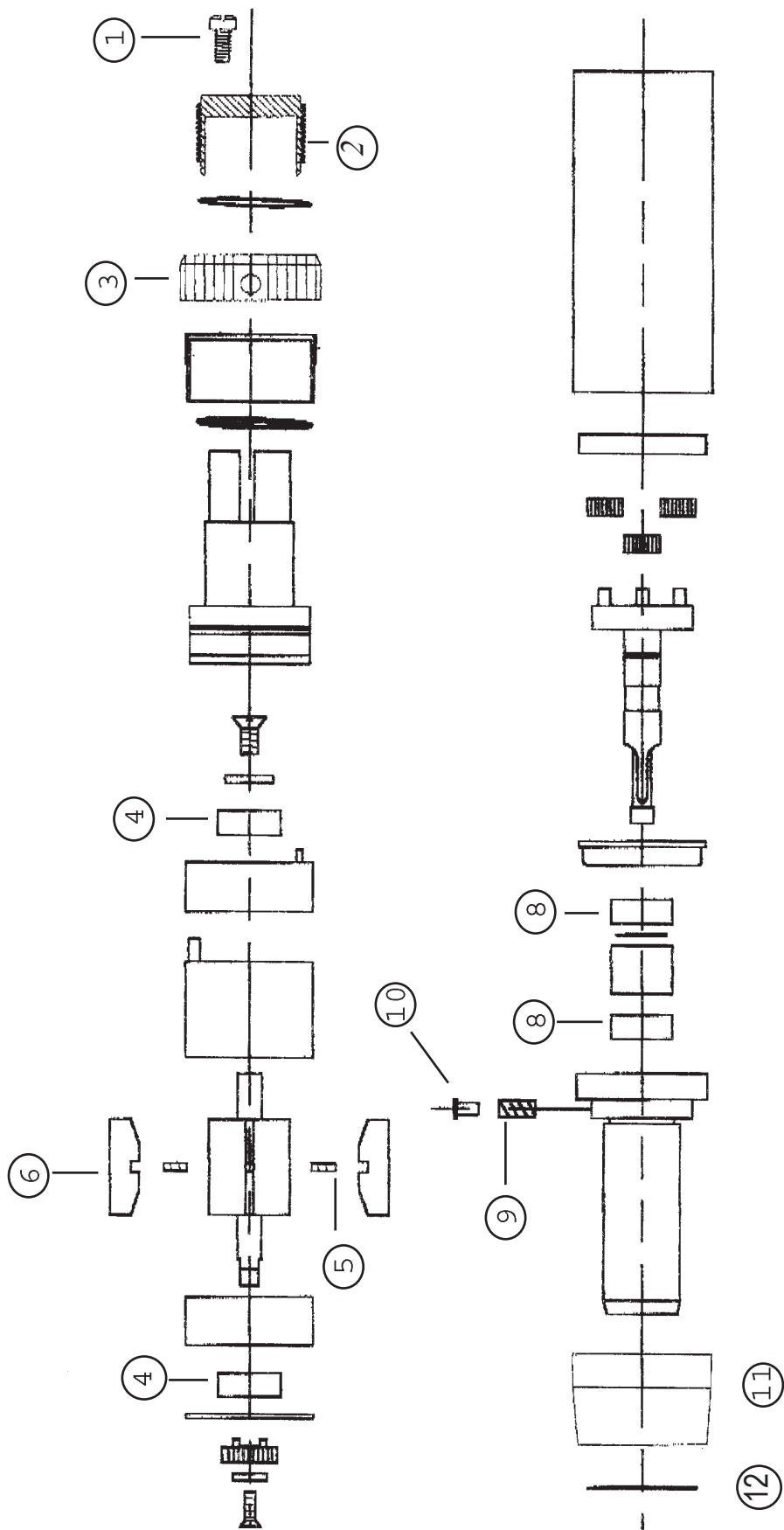
Midwest Shorty Nose Cone (Latch Type)

Price \$

Pict.	Part #	Description	1-15	16+
1		Pin for Chuck Lever (call for availability)		
2	40482	Lever for Chuck	11.00	
3		Spring for Chuck Lever		
4		Main Housing		
5	40482A	Shim	1.10	
6	40470	Lower Bearing (Front)	10.00	
7	40470A	Upper Bearing (Lower)	10.00	
8	40485	Drive Dog (Slot Type)	12.00	
10	40491C	Gear Pin	.50	
	40486	Chuck/Drive Dog for Midwest RDH Handpiece	40.00	



MIDWEST RHINO XP ASSEMBLY



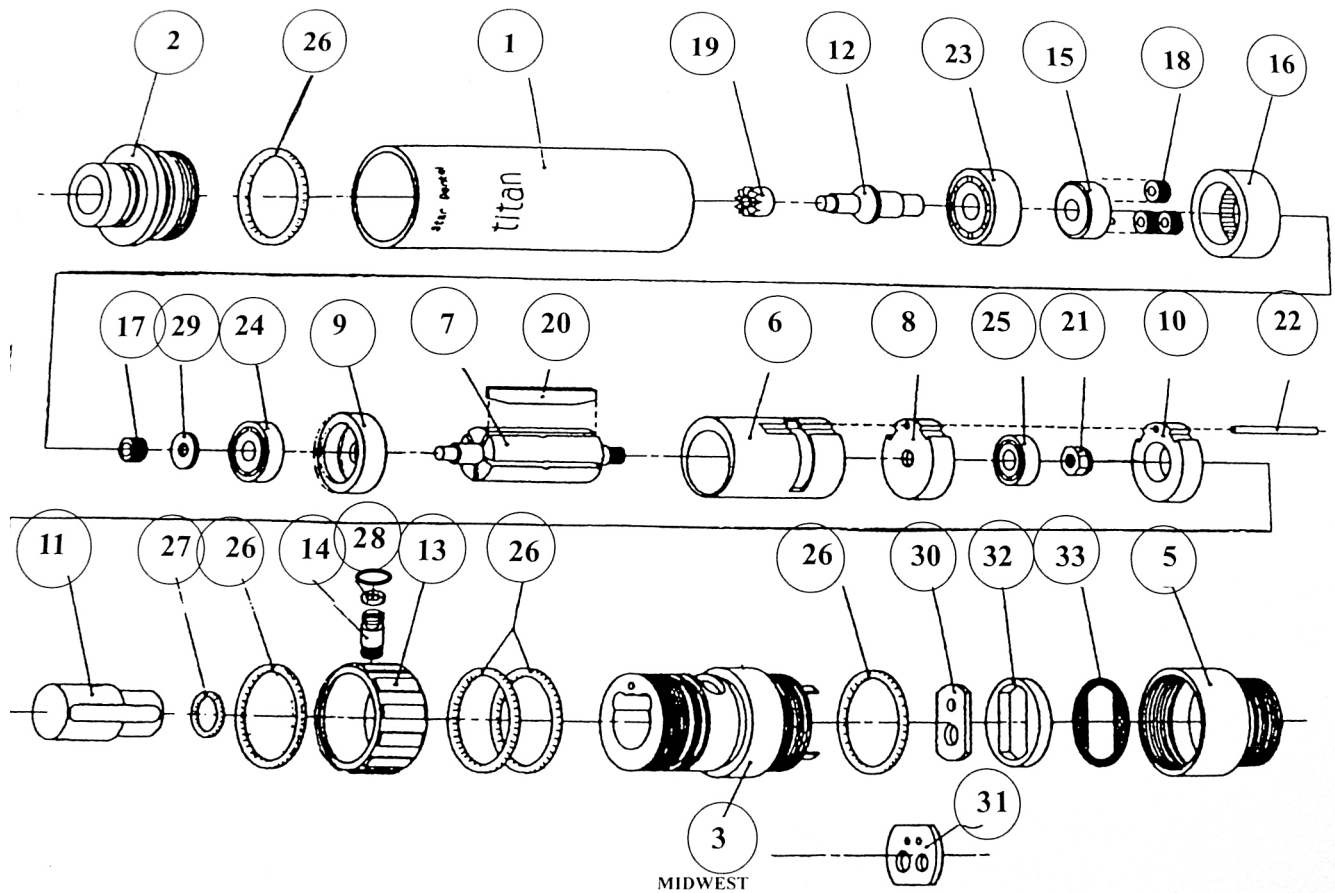
QUALITY DENTAL SERVICES CORP.



Pict. Part #		Description	1-15	16+
1	40604	Screw for Back End	1.50	
2	40601	Threaded replacement Back End	16.00	
3	40606	Directional Ring	17.00	
4	40602	Front /rear 1 motor Bearing for Old Style (1)	7.50	
4	40602A	Front/(rear 1 motor Bearing for New Style (1)	7.50	
5	40605	Rotor Blade Springs (set of 6)	16.00	
6	40419	Rotor Blades (set of 6)	15.00	
8	40602B	Bearing for output Gear Assembly (1)	6.00	
9	40610	Spring for Latch Pin	4.00	
10	40609	Latch Pin (flanged)	6.00	
11	40608	Front attachment Sleeve	29.00	
12	40608A	Front attachment Sleeve Retainer	4.50	
	40487	Midwest RDH Aluminum back end	87.50	



STAR TITAN MOTOR





Star Titan Slow Speed Motor

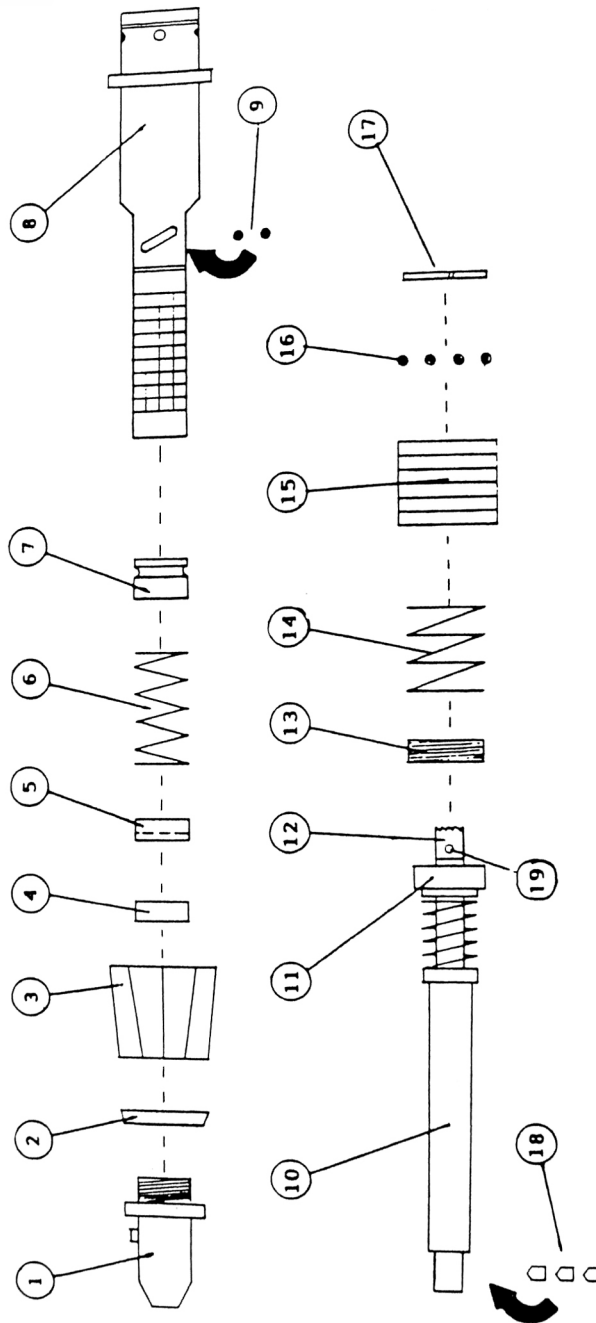
Price \$

Pict. Part #		Description	1-15	16+
1	60201/60202 *	Housing(20K/5K)	25.00	
2	60201A *	Nose for Star Handle	call	
3	60203	Head(Midwest) w/Air and Exhaust Tubes	17.00	
6	60206	Cylinder	55.00	
7	60207	Rotor	42.00	
8	60208A	Upper Plate w/ Bearings	17.00	
9	60209	Lower End Plate (front)for 20K Motor	10.00	
10	60210	Distributor (cover plate)	15.00	
11	60211	Reversing Valve	28.00	
12	60212	Out-Put Shaft Only	23.00	
12	60212B	20K Output Shaft	12.00	
13	60213	Reversing Ring	20.00	
14	60214	Reversing Ring Screw	5.00	
	60215	Idler Gear Assembly less Gear	27.00	
	60215A	Idler Gear Pin	3.50	
16	60216	Ring Gear	15.50	
17	60217	Sun Gear	6.00	
18	60218	Idler Gear (pkg. of 3)	15.00	
19	60219	Main Drive Gear	12.00	
19	60219A	Gear Pin for Main Gear	1.00	
20	60220	Rotor Blade Lube Free (5)	25.00	
20	60220A	Rotor Blade Springs (pkg. of 5)	5.00	
20	60220B	Rotor Blade (not lube free pkg. of 5)	6.75	
21	60221	Lock Nut	1.25	
22	60222	Alignment Pin	2.00	
23	60223	Bearing (front)	6.00	
24	60224	Bearing (front motor)	6.00	
	60225	Bearing (rear motor)	6.00	
23/24	60225A	Bearing (Front or Rear) for Star Titan III	6.00	
26	60226	'O' Ring (pkg. of 3)	4.50	
27	60227	'O' Ring for Reverse Valve	1.00	
28	60228	'O' Ring for Reversing Valve Screw	1.50	
29	60229	Bearing Retainer	2.00	
30	60230	Gasket (Star) green original	2.75	
31	60231	Gasket (Midwest) green original	3.00	
9	60209A	Lower End Plate w/ Bearing for 5 K Motor	25.00	
9	60209b	Lower end plate w/bearings for 20K motor	25.00	
12	60211QD	Forward/reverse valve for Star Titan quick disconnect	60.00	
30	60230A	Green 5 hole gasket for original motor	4.00	
	60203QD	Forward/reversing quick disconnect valve	50.00	
	60211A	1/8"ball for Star reversing valve quick disconnect	1.50	
	60228A	Release collar spring for Star Titan	2.00	
	60200	Forward/Reversing Valve for Star Titan Quick Disc.	65.00	
11	60211QD		60.00	

* Includes part 60201A and 60201/60202 all in one piece. Stainless steel



STAR TITAN NOSECONE



QUALITY DENTAL SERVICES CORP. 800 543-4408



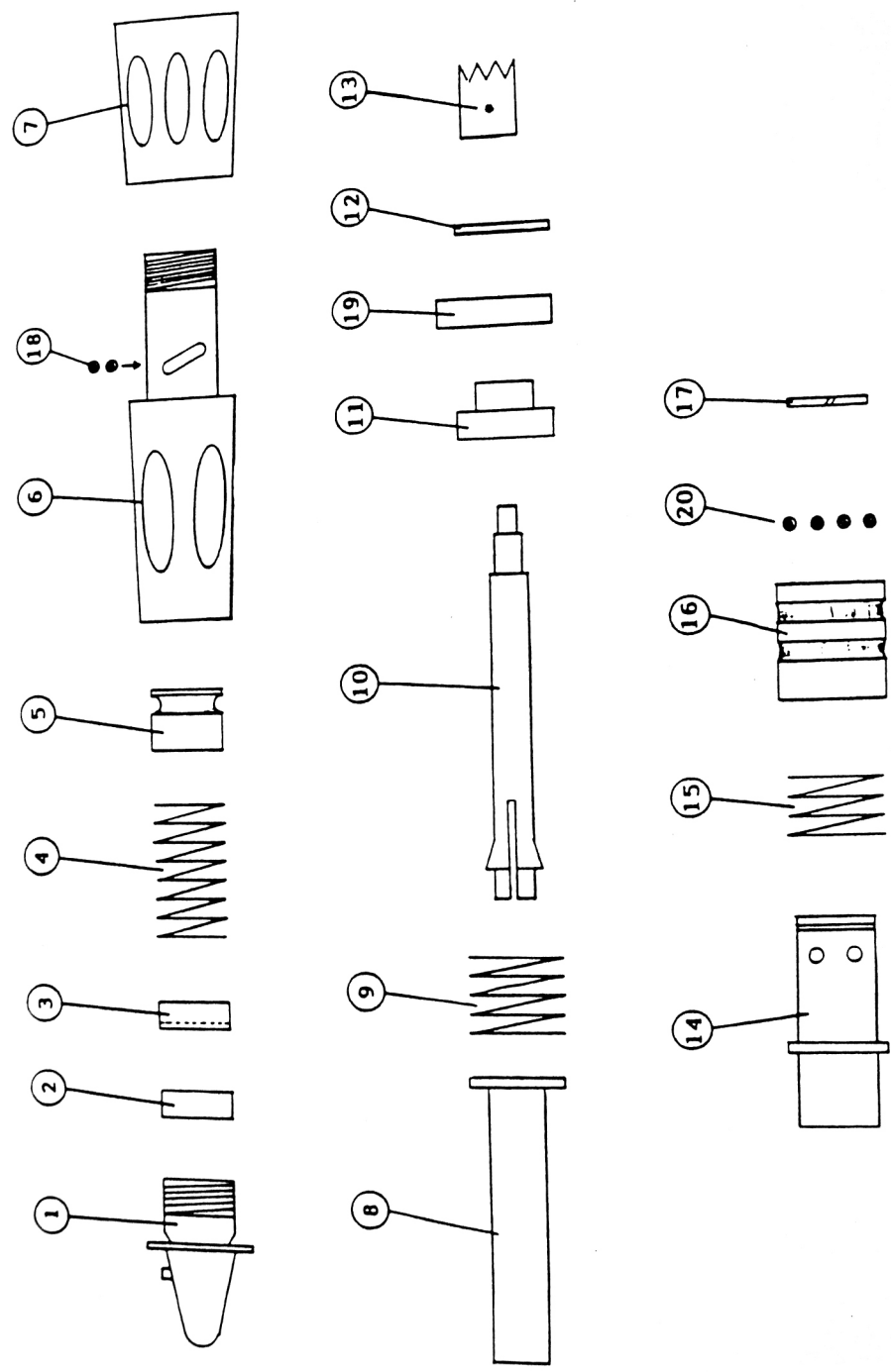
Star Titan Nose Cone

Price \$

Pict. Part #		Description	1-15	16+
1		Nose Cone (call for availability)		
2		Tapered Ring (call for availability)		
4	60251A	Lower Bearing (Front)	5.00	
5	60252	Thrust Washer	3.00	
6	60253	Spring	2.50	
7	60254	Collet Opener	16.50	
8		Main Body (call for availability)	N/A	
9	60250	Chuck Slide Ball	.25	
10	60256	Chuck Sleeve for Collet Inserts	15.00	
11	60251	Upper Bearing (Rear)	8.65	
12	60219	Gear for Nose Cone (with hole)	12.00	
12	60258	Gear for Nose Cone (no hole)	10.00	
13		Slotted Lock Screw (call for availability)		
14		Spring (call for availability)		
15		Snap Ring Collar (call for availability)		
16	60250	Snap Ring Ball	.25	
18	60255	Collet Insert (3)	12.00	
19	60219A	Gear Retainer Pin	1.00	
	60259	Bushing, Motor to Contra Angle	2.95	
	60260	Compression Ring	4.00	
	STP/ADP	Angle to Motor Adapter (Generic)	100.00	
	60256	Nosecone chuck sleeve (1 9/16)	14.00	
	60257	Nosecone sleeve (1 5/8")	13.50	
	60265	Inner housing	35.00	
	QDSC5KNC	Generic nose cone for Star 5K & 20K motor	179.00	
3	60268	Release collar for Star nose cone/mtr. to ang. adpt.	11.00	



STAR TITAN II NOSE CONE



QUALITY DENTAL SERVICES CORP. 800 543-4408



Star Titan II Nose Cone (New Style)

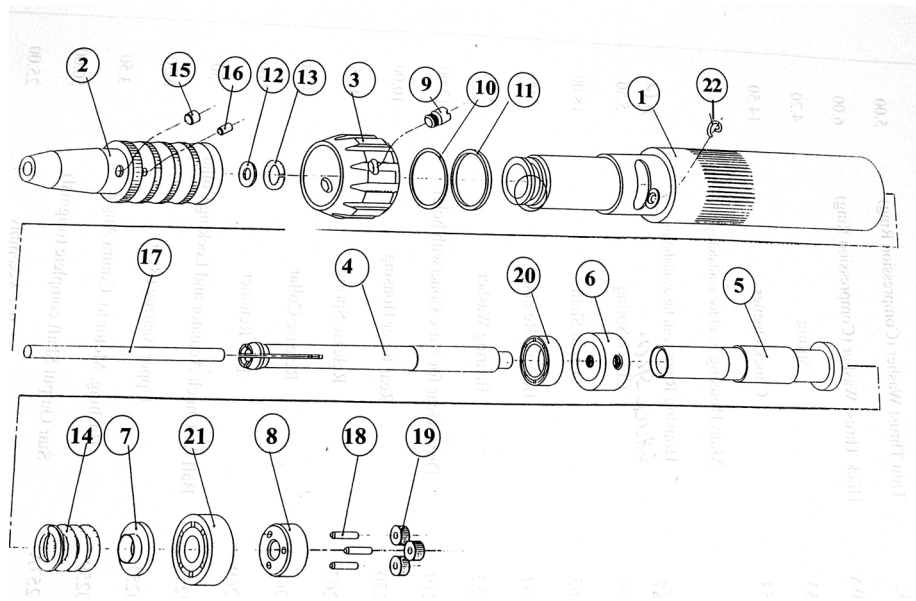
Price \$

Pict.	Part #	Description	1-15	16+
1	QDSC5KNC	Nose cone (Complete Generic)	179.00	
2	60251A	Lower Bearing (Front) 3631	5.75	
3	60252	Thin Thrust Washer (Compression Ring)	5.75	
3	60260A	Thick Thrust Washer (Compression Ring)	6.00	
4	60253	Spring	3.00	
5	60254	Chuck Opener	16.50	
6		Main Housing (call for availability)		
7		Housing Rear (call for availability)		
8	60257	Chuck Sleeve	13.50	
9	60266	Chuck Spring	5.50	
11	60264	Bearing Retainer	2.00	
12	60229	Bearing Washer	2.00	
13	60219	Drive Gear for Nose Cone (with hole and pin)	12.00	
	60219A	Drive gear pin only	1.00	
15	60267	Release Spring	4.25	
16	60268	Release Collar for Nose Cone/Angle to Motor Adapter	11.00	
17	60269	Ball Retainer	1.00	
18 & 20	60250	Ball for Chuck Actuator and Locking Collar	.25	
19	60251	Bearing (Rear)	8.65	
	60259	Bushing, Motor to Contra Angle	2.95	
8,9,10, 11,119, 12,13	60257A	Star Output Shaft complete (original) call (includes chuck, chuck sleeve, chuck spring, bearing, gear, bearing retainer, bearing washer)	65.00	
	STR/ADP	Angle to Motor Adapter (Generic)	100.00	



CHAMPION LITTLE GUY

(Chuck Assembly)





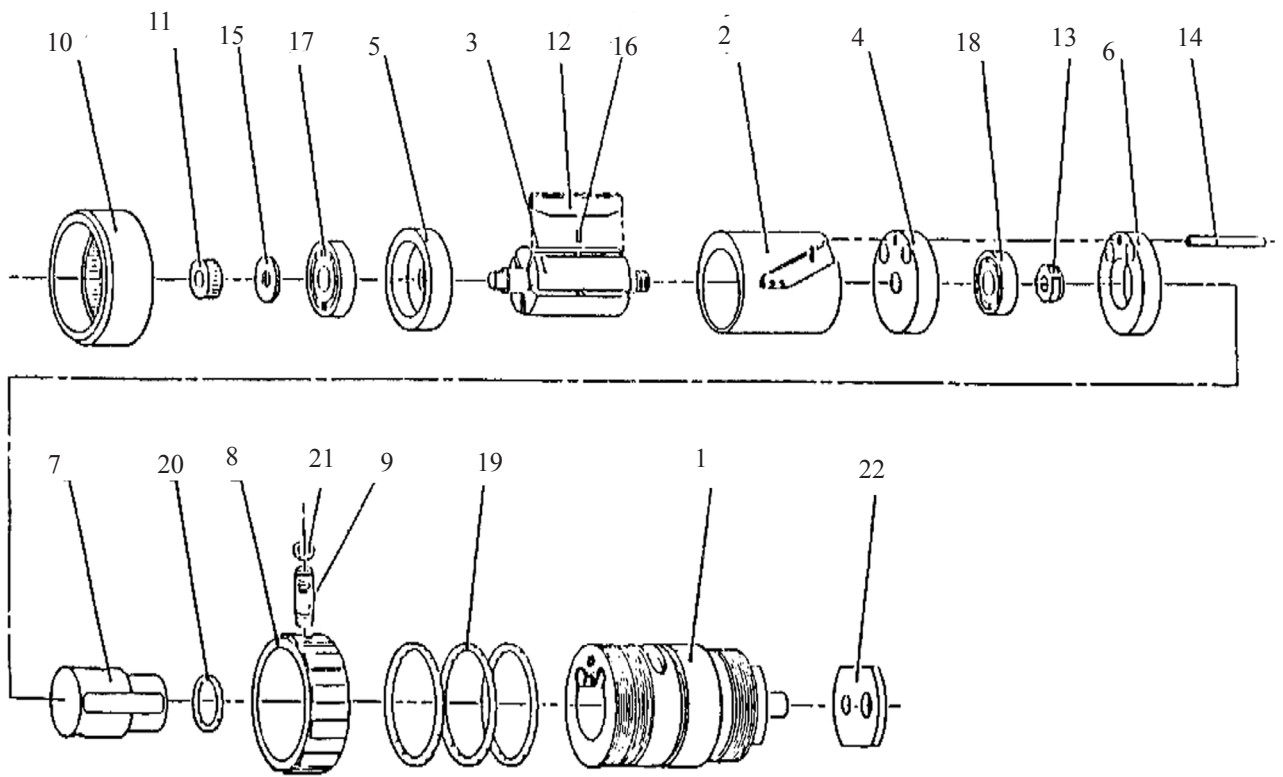
Champion Little Guy (Chuck Assembly)

Price \$

Pict. Part #		Description	1-15	16+
1	50551	Main Housing	N/A	
2	50552	Nose	33.00	
3	50553	Collet Ring	N/A	
4	50554	* See Below		
	50554A	Spindle Assembly for Little Pro	N/A	
5	50555	Chuck Sleeve	20.00	
6	50556	Collet Opener	8.00	
7	50557	Spring Spacer	1.00	
8	50558	* See Below		
9	50559	Collet Ring Screw	2.50	
10	50560	Slip Ring	1.25	
11	50561	Quad Ring	1.50	
12	50562	Nose Seal	1.50	
13	50563	Retaining Clip	1.25	
14	50564	Chuck Spring	4.25	
16	50566	Retaining Pin	1.65	
15	50565A	L.G. Nose Key (New Style)	3.75	
17	50567	Shipping Pin	.30	
18	50568	* See Below		
19	50569	Idler Gear Set (3)	11.50	
20	50570	Bearing (front)	4.75	
21	50571	Bearing (rear)	4.75	
4,8,18	50554-58-68	* Spindle Assembly	42.50	
22	50523	Detent Springs	2.50	
	50524	Detent Springs (old style)	4.00	
			30.00	
5	50555A	Chuck Sleeve for Little Guy	13.00	
19	50569A	New Style Idler Gears Stainless Steel (3)		



CHAMPION LITTLE GUY (Motor Assembly)





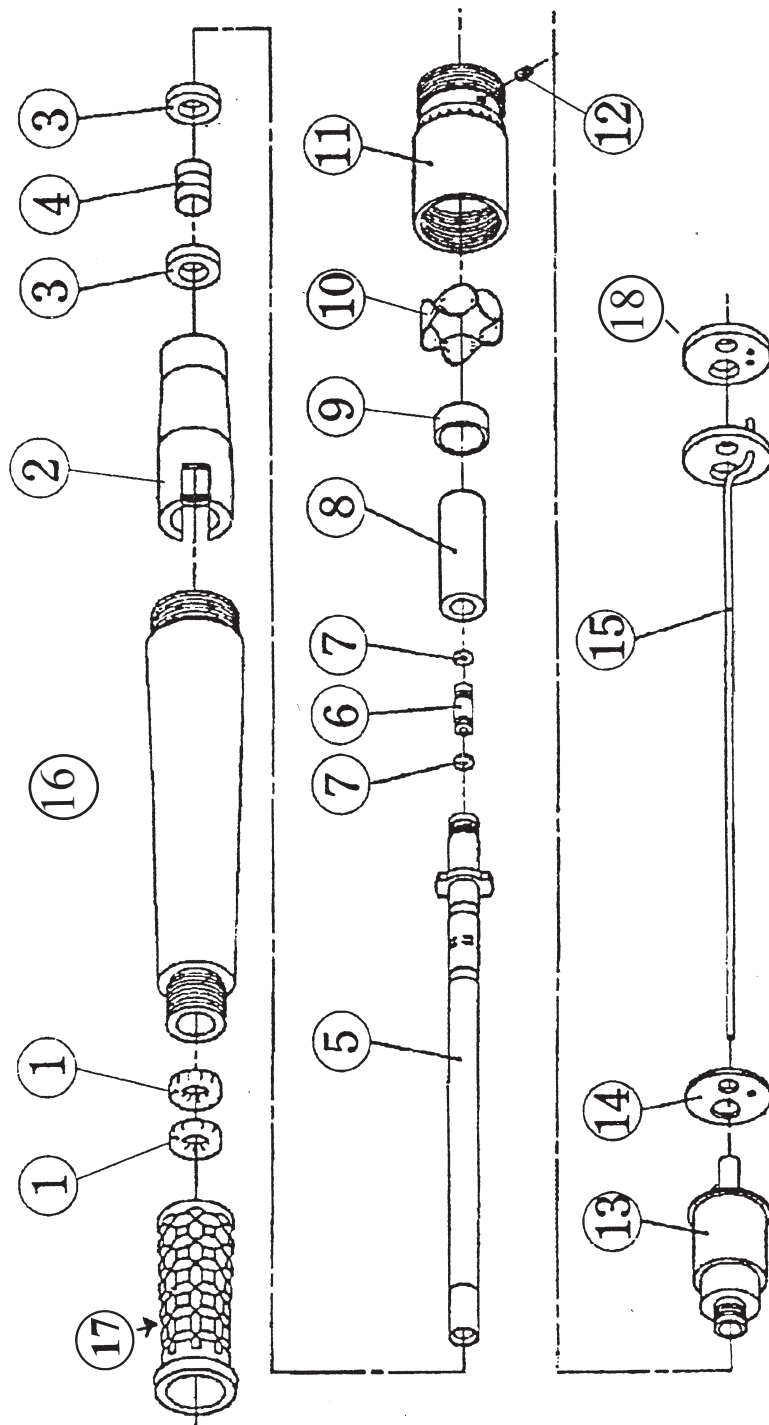
Champion Little Guy (Motor Assembly)

Price \$

Pict. Part #		Description	1-15	16+
1	50501	Midwest Style Head w/ Inlet & Exhaust Tubes	26.00	
2	50502	Cylinder	25.00	
3	50503	Rotor	17.00	
4	50504	Upper End Plate (rear)	10.00	
5	50505	Lower End Plate (front)	8.00	
6	50506	Cover Plate	7.00	
7	50507	Reversing Valve	14.00	
8	50508	Reversing Ring	6.50	
9	50509	Reversing Ring Screw	3.00	
10	50510	Ring Gear	10.00	
11	50511	Sun Gear	6.00	
12	50512	Rotor Blades (pkg. of 5)	6.00	
13	50513	Lock Nut	1.25	
14	50514	Alignment Pin	1.50	
15	50515	Spacer	1.00	
16	50516	Rotor Blade Springs (pkg. of 5)	3.25	
17	50517	Bearing (front)	5.75	
18	50518	Bearing (rear)	5.75	
19	50519	'O' Ring Set (pkg. of 3)	1.80	
20	50520	Reversing Valve 'O' Ring	.95	
21	50521	Reversing Valve Screw 'O' Ring	.95	
22	40422A	4 Hole Gasket	.40	.35
	50525	Inlet Tube	1.50	
	50526	Exhaust Tube	1.50	
	50508A	Reversing ring for Champion E Motor	6.50	
7	50507A	Reversing ring for Champion (Newer)E Motor	16.00	



AIR SCALER





Air Scaler

Price \$

Pict. Part #		Description	1-15	16+
16	20101	Main Housing (black)	12.00	
	20101A	Main Housing (swivel model)	12.00	
17	20102	Nose	10.75	
11	20103	Connector Housing	12.00	
5	20104A	Main Spindle w/Water Brace Installed	35.00	
13	20105QD	Air scaler quick disconnect	18.00	
13	20105	Air Connector	7.00	
13	20105A	Exhaust Plug for Air Scaler	2.25	
13	20105B	Air Drive Tube for Air Scaler	2.25	
13	20105WLRR	Air scaler water line retaining ring	1.25	
2	20106	Spindle Stop	7.50	
3,4	20107	Rotor with 4 Quad Rings	15.00	
4	20107R	Rotor only	14.00	
15	20108	Water Line Assembly	9.00	
15	20108A	WaterLine Assembly for Swivel Style Scaler Water	11.50	
6	20109	Line Brace Brace	7.50	
9	20110	Crimp Ring	.75	
8	20111	Flexible Assembly Connector	1.25	
8,9	20111KIT	1 Flexible Assembly and 2 Crimp Rings	1.75	
14	20113	Water Line Assembly Gasket	1.00	
18	40422A	4 Hole Gasket	.40	
12	20115	Set Screw	.50	
	20115A	Set screw allen wrench	1.00	
	20116	Spindle Retaining Pin for 20106 spindle stop	1.50	
3	20117	Quad Ring	1.25	
1	20118	Large 'O' Ring	.75	
7	20119VT	Outer Water Line Brace 'O' Ring	1.50	
6	20119AVT	Inner Water Line Brace 'O' ring	1.50	
10	DISCONTIUED	Baffle use steel wool		





Kavo Slow Speed Parts (for 2307L & 2307LN)

Price \$

Pict.	Part #	Description	1-15	16+
	10118KVBL	Rotor Vanes for Kavo 2307L & 2307LN. Set of 5	\$14.25	
	10118A	Special Bearing for Kavo Interflex (Small)	\$16.00	
	10118B	Special Bearing for Kavo Interflex (Large)	\$16.00	
	10118B	Rotor Blade Springs for 2307, 2307L, & 2307LN pkg. of 5	\$7.50	
	10118S	Rotor Housing for Kavos 2307L	\$21.00	
	10120	Rotor Housing for Kavo 2307LN	\$23.00	
	10122	Rotor Housing for Kavo 2307	\$23.00	
	10123	Outer Housing Sleeve for Kavo 2307LN	\$85.00	
	10124	Outer Housing Sleeve for Kavo 2307L	\$85.00	
	10125	Outer Housing Sleeve for 2307	\$85.00	
	10101/182	Back end for Kavo 182 aluminum	85.00	

HANDPIECE

REPAIR

TOOLS



Special Repair Tools

Picture	Part No.	Description	Price
	003	3 Prong Tru-Torc Raceway Remover <i>Used for removing raceway component from back end Tru Torc and Shorty.</i>	\$80.00
	006	Universal Repair Block (Large) <i>This can be used on nearly all high speed hand-pieces and slowspeed sub assemblies. Block is used for <u>assembly and disassembly</u>. Made from hardened steel.</i>	\$95.00
	014	Nose Cone Wrench for MW Shorty Nose Cone	\$20.00
	017	Wide Drive Ring Replacement Tool for MW Tru Torc I & II and Shorty I & II	\$39.00
	40425	Replacement Ferrules for Slow Speed Back Ends <i>Used to replace stripped or worn threads. <u>Made of stainless steel.</u></i>	\$4.00
	024	Special Bearing Press w/Tool Holder <i>Used for pressing bearings on and off of the spindle. Comes with 3 special press pins including one for pushbuttons. Used with 006 or 006A repair blocks. This is a very precise press. Includes part: 024A, 024E, and 024RD</i>	\$400.00
	018	Narrow Drive Ring Replacement Tool <i>This tool makes it much easier to place narrow drive rings in the race way of the Tru-torc and Shorty. The tool creates a slight and temporary oblong shape of the drive ring, thus allowing ease in placement.</i>	\$100.00
	046RR	Inner Bearing Race Remover	58.00



Special Repair Tools

Picture	Part No.	Description	Price
	024RD	<u>PINS FOR BEARING PRESS 024</u> Disassembly tool for wrench style spindle with pilot tip	\$8.00
	024H	Assembly tool for wrench style spindle with pilot tip	\$25.00
	024E	Push button spindle holder only Holds 24RD and 024A	\$20.00
	024A1	Push button spindle/holder (hollow)	\$22.00
	024B	Push button spindle/holder (flat)	\$25.00
	024A	Push button spindle only	\$9.00
	029	Air Scaler Crimping Tool (includes 029A) Excellent for crimping scaler crimp rings (see insert in catalog)	\$75.00
	029A	Replacement Jaw for 029 Crimp Tool (see insert in catalog)	\$30.00
	030	Motor Housing Bench Vise for Tru Torc I & II and Shorty I & II Prevents scaring or scratching of the housing	\$130.00
	044	Midwest directional forward/reverse valve support block	\$75.00



Hispeed Head Reamer, Threaders, and Expanders

Quiet Air Head Threader

This *Quiet Air Head Threader* designed to re-thread the cap end of the *Quiet Air*.

<u>Part No:</u>	<u>Price:</u>
023 TAP	\$35.00

Head Expander/ Reamer with Alignment Tip

The "Head Expander" enlarges the head of various handpiece and flatten any dents.

023A Head Reamer for Midwest Quiet Air handpiece	\$75.00
023B Head Expander for Midwest Tradition handpiece	\$75.00
025A Head Expander for Kavo 632 handpiece	\$75.00
025/635 Head Expander for Kavo 635	\$75.00
025/642B Head Expander for Kavo 642B	\$75.00
025VB Head Expander for Viper 360	\$75.00
026 Head Expander for Kavo small head	\$75.00
027 Head Expander for Kavo 640	\$75.00
027A Head Reamer for Kavo 640 handpiece	\$75.00
028 Head Expander for Star 430 handpiece	\$75.00
015RM Head Reamer for Mini Canister	60.00
015RS Head Reamer for Standard Canister	60.00
053PBA Push Button Press Tools for MW/NSK/Kavo/Star	140.00



<p>The expanders are made to fit on a 1/4" socket type screw driver. They are made of "tool grade hardened steel"</p>

WE ALSO CARRY HEAD EXPANDERS FOR:
 NSK, MOUNTAIN MEDICO, PHETALUS MAS-LITE, KAVO 632D,
 635, 633, KENETIC VIPER 360AND W & H SYNEA





Special Repair Tools

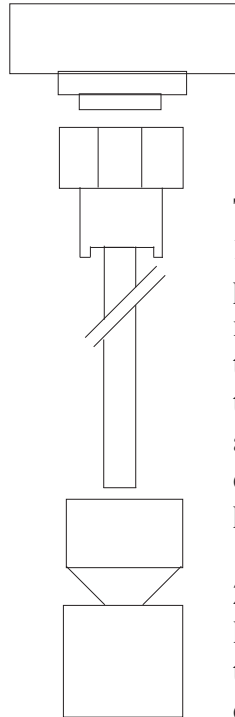
Air Scaler Alignment Tool 039

Alignment Tool 039

Swivel Assembly

Part #: 039
Price: \$20.00

Main Rear Housing



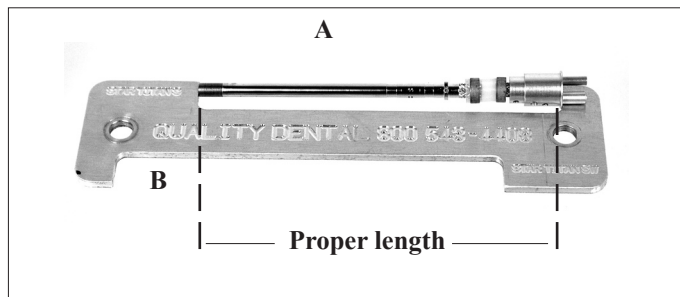
This tool is used with Titan SW scalers.

1. When reassembling the Star Titan SWL, use this punch when pressing the swivel assembly into the main rear housing. This has been designed to position the assembly inside the main rear housing so that the tip of the swivel will extend beyond the nose piece about 1/32" (assuming that you constructed the flex coupler so that the swivel assembly has an overall length of 4 15/16").

2. When pressing the assembly into the main rear housing, the assembly is accurately positioned when the main rear housing bottoms out on the bottom ring of this punch.

Bench Block

Star Scaler Spindle Assembly Tool



The Star Spindle Assembly tool assures that the scaler spindle, flex tube, and back end are at the proper length. It can be used on standard (A) and swivel scalers (B)

Part #: 011
Price: \$20.00



Special Repair Tools

Nosecone Vises and Insert #033 and #033A

Uses:

This instrument will hold various nosecones assemblies in a manner that takes the tension off of the springs on a nosecone. Once the tension has been removed, either of this instrument will hold the assemblies while you do the necessary repairs.

Part 033

Price \$55.00

Directions:

The 033 has too many applications to list. It can be used to compress or expand items that are spring loaded and will hold the assemblies while you, for example, remove pins or replace pins. It can, also, be used to pull apart corroded chuck assemblies plus much, much, more.

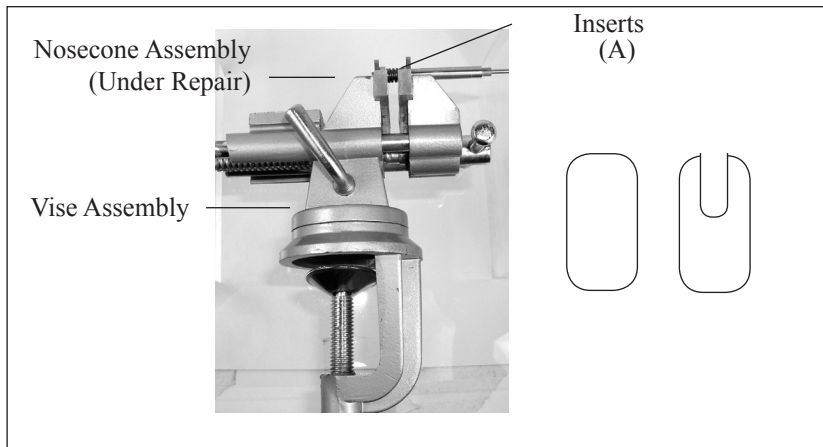
Contents:

1. Vise Assembly
2. 3 Slotted Inserts
3. 1 Blank Insert
(Design your own insert)

Inserts (pict. A)

Part: 033A

Price: \$4.00 each



Collet Inspection Tool

The Collet Inspection Tool is used to measure the pull strength of a spindle and chuck.

Insert the special collet inspection bur into the push button or friction grip handpiece. Holding handpiece firmly, run the handpiece at manufacturers recommended air pressure. Place a side load on the bur to decrease the RPM by 50%. Then install the ball of the collet inspection bur into the slot of the collet inspection tool. Using thumb and index finger on finger grip, slowly pull away from the handpiece until the indicator line on the inside shaft is exposed.



Part No: 073

Price: \$35.00

Reject the spindle/chuck assembly if there is any slippage of the pin prior to the exposure of the line.





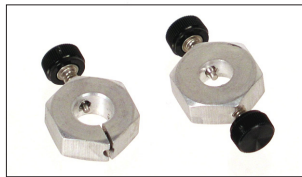
Chuck Adjustment Tool Set #049

Uses:

Will grip the chuck assembly of the Midwest Lever Straight Attachment allowing the exact adjustment of the chuck.

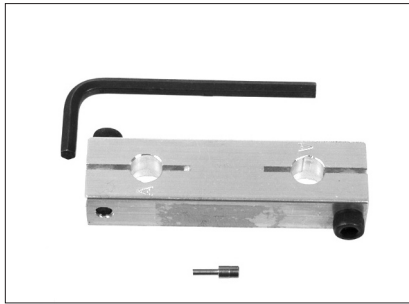
Directions: (must remove front bearing)

1. Insert shaft assembly into TOOL #1 (has larger I.D. and a slot cut in it) and align the tool so that you can tighten the set screw into the hole on the chuck.
2. Grip TOOL #1 in a small vise and tighten.
3. Slide TOOL #2 onto the front part of the chuck assembly and align the tool so that the set screw aligns with the hole. Tighten the set screw.
4. Using a 5/8' opened wrench, adjust the chuck as necessary.



Part # 049
Price: \$29.00

30303CANSEP- Caninster Separating Tool. This tool is used to separate any screw type, push button or friction grip canister. This tool will enable separation of canister lid from the main body without damaging or distorting either half. This tool has two sized holes for large and small canister. Comes with a detailed instruction sheet and allen wrench.



Part#: 30303CANSEP
Price: \$25.00

Kavo Slinger Insertion tool for 635/647/649/650

This tool assists in replacing slinger on the Kavo 635,647,649,and 650 handpieces. The slingers are necessary as a debris shield. However, installation of the slingers are difficult and can result in damage if not installed properly. This tool inserts into the bearings press and works in conjunction with the press block, enabling alignment and correct pressure.



Price and Part number: 079, \$20.00

Replacement slingers for the following handpieces:

10101SLINGERI for Kavo 647/649	\$3.00
10101SLINGERII for Kavo 650	\$4.50
10101SLINGERIII for Kavo 635	\$2.00

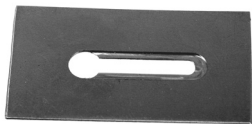
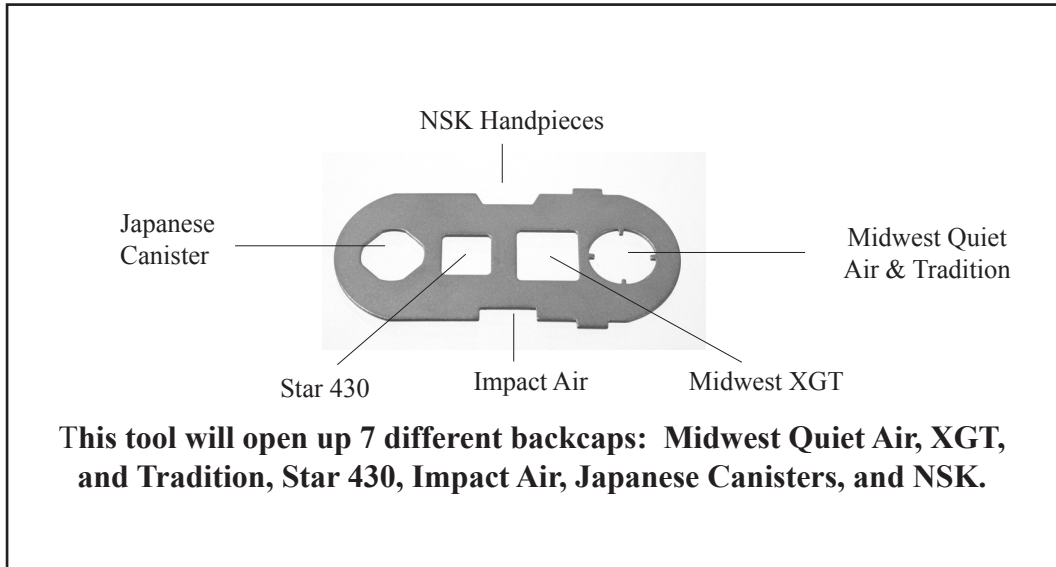


Special Repair Tools

Special Back Cap tool

Part: 40408XGT

Price: \$2.50



Part: 005
Price: \$35.00

The 005 is a tool used to remove the bearings from the Kavo large head spindle. The "keyhole" design allows the bearing to fit in the hole. When sliding the assembly towards the "slit" the bearings will be isolated for easy removal.



Part: 080
Price: \$30.00

The 080 air pressure gauge. Too high of air pressure to the handpiece is a major cause of bearing failures. In addition, a large number of dental handpiece delivery units have inaccurate air pressure gauges. This gauge will allow you and your customer to adjust the air pressure in accordance with the manufacturer's specifications. This is a "must have" for every repair technician and dentist.

Because of it's low cost, you may want to use this item as a premium incentive. Suggested retail price is \$59.00.

HANDPIECE ADAPTORS

SPECIAL "O" RINGS

LATCH HEADS AND CONTRA ANGLES

HANDPIECES



Handpiece Adapters and Special 'O' Rings

Price \$

Pict. Part #	Description	1-15	16+
	<u>Adaptors</u>		
40502	2/3 Hole Handpiece to 4 Hole Tubing	41.00	41.00
40502B	4 Hole Handpiece to 2 Hole Tubing	31.00	31.00
40502C	4 Hole Handpiece to 3 Hole Tubing	31.00	31.00
	<u>Special 'O' Rings</u>		
10106	'O' Ring for standard Kavo handpiece	.40	.35
10106A	'O' Ring for Kavo highspeed <u>Spray Cover</u> set 2	.50	.50
10106A1	'O' Ring for Kavo spray cover 647/-649-650	1.00	.70
10106B	'O' Ring for Kavo <u>Multiflex Coupler</u> set of 5	1.25	1.25
10106C	'O' Ring for air drive in Kavo 632/642	.50	.35
60111	'O' Ring for Star <u>Quick Coupler</u> set 2	1.00	1.00
50599A	'O' Ring for Champion highspeed	.30	.30
50107E	'O' Ring for Dabi Alanti & MTI	.75	.75
50107B	'O' Ring for W & H and ADEC	.70	.60
10010A	'O' Ring for Sieman's and Dabi Alante 350 handpiece	.75	.75
9000	'O' Ring for Ney 300 handpiece	.90	.90
10012A	'O' Ring for Bein Air Black Pearl	.75	.75
80004	'O' Water Spray Kit for NSK handpiece set of 3	3.25	3.25
10013E	'O' Ring kit for the Bein-Air Euro coupler set of 3	5.50	5.50
10013HS	'O' Ring kit for the Bein -Air HS coupler set of 3	5.50	5.50
40407-3	'O' Ring for the Midwest Stylus handpiece	.60	.55
10106C	Air Drive 'O' Ring Kavo 632/642	.50	.35
10106D	Air/Water Tube 'O' Ring for Kavo High/Slow Speeds	.50	.35
10106E	Drive AirLine 'O' Ring for most handpieces	.75	.75
10106HDLE	Black 'O' Ring for Kavo Handle	.75	.75
10106VEC	'O' Ring for Vector and MK Dent Handpiece	1.00	1.00
50107F	'O' Ring for Bien Air LAB Handpiece	1.00	1.00





Latch Heads and Contra Angles

Latch Heads, Propy Heads, and Contra Angles

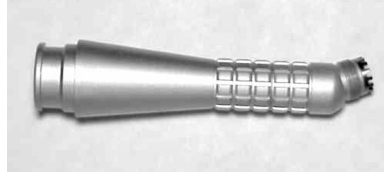


QDA003	Star/NSK Combination Latch Head w/removable elbow 12 teeth NSK and screw on Star type	\$33.00
QDA003S	Standard NSK Style Latch Head 12 castles screw type fits StarTitan Contra Angle Sheath	\$27.00
QDA003SO	Standard Star Latch Head with permanent elbow (screw on type)	\$30.00
QDA003E	Star Replacement Elbow only 12 castles	\$8.00
QDA004	Standard Midwest Style Latch Head 14 castles screw type fits Shorty and Tru-Torc Contra Angle Sheaths	\$27.00
QDA005	Ball Bearing NSK Latch Head 12 castles screw type fits Titan Contra Angle Sheaths	\$44.00
QDA006	Ball Bearing Midwest Style Push Latch	\$44.00
QDA006SL	Ball Bearing Midwest Style Swing Latch	\$75.00
QDA007	Friction Grip Head and Tool for Midwest and E type Style head castles	\$59.00
QDA007P	Push Pin for QDA007	9.50
QDA010	20,000 Standard U Contra Angle Latch Fits Tru-Torc, Little Guy, and E Type Straight Nose Cones	\$16.00
QDA011	QDAO11 Standard U Type Propy <u>Snap on</u>	\$12.00
QDA011S	QDA011S U Type Propy <u>Screw on</u> Both Fit Tru-Torc, Little Guy, and E Type Straight Nose Cones	\$12.00



LATCH HEADS, CONTRA ANGLES, & QUICK DISCONNECTS

40490B
\$75.00



Midwest Shorty Contra Angle Sheath only

QDA006L Latch for
swing typelatch head
\$1.75



4QDA006G Gear for
latch head
\$13.00

FIBER OPTIC AND NON FIBER OPTIC QUICK DISCONNECT HANDPIECES & COUPLERS FOR KAVO HANDPIECES



101014HOLENFO-4 hole non fiber optic
quick disconnect \$105.00



101015HOLEFO-5 hole fiber optic quick disconnect coupler
\$140.00



10101-6PIN- 6pin fiber optic quick
disconnect coupler \$140.00



PUSH BUTTON HIGH SPEED HANDPIECES:

QDSCINFP4- 4 hole high speed push button handpiece non
fiber optic \$250.00 small head.

QDSCINFP5- 4 hole high speed pushbutton handpiece non
fiber optic \$250.00 large head



PUSH BUTTON QUICK DISCONNECT HANDPIECES:

QDSCQDFOLG- Quick Disconnect fiber optic large head
handpiece \$475.00

QDSCQDFOSM- Quick disconnect fiber optic small head
handpiece \$475.00

QDSCQDNFOLGE- Quick disconnect non fiber optic large
head handpiece \$345.00

QDSCQDNFOSM- Quick disconnect non fiber optic small
head handpiece \$345.00



CANISTER HANDPIECES:

015 Standard Canister handpiece: \$59.00

015PB Push Button Canister handpiece: \$89.00

**MISC. SHEATHS, HEADS, AND TOOLS**

Price \$

Pict.	Part #	Description	1-15	16+
	40490	Sheath for Midwest Tru Torc Handpiece	\$20.00	
	QDA006NPB	NSK push button head for Midwest	\$130.00	
	QDAPBFG	NSK friction grip head for Midwest	\$130.00	
	QDA005NPB	NSK push putton latch head for Star	\$130.00	
	QDA005PBFG	NSK friction grip head for Star	\$130.00	
	10112-68G	Cap remover tool for Kavo 68G	\$45.00	
	10112-68LH	Cap remover tool for Kavo LH	\$50.00	
	QDS68LH	Generic Push Button head for Kavo 68LH	\$189.00	
	QDALSCREW	Replacement swing latch screw	\$1.00	
	QDA010BB	U type 40K U type contra angle	\$69.00	
	QDA006SLA	Bearing to fit Star swing latch	\$6.00	





E TYPE MOTOR SYSTEMS



(A). E TYPE 4 HOLE MOTOR

20,000 RPM

Forward and Reverse Ring

6 month Warranty

Autoclavable

Part Number: EMOTOR20K

Price: \$175.00

(B). E TYPE CONTRA ANGLE SHEATH

Fits 12 teeth Latch and Propfy Heads

Autoclavable

6 month Warranty

4:1 Ratio

Part Number: EMOTORCA

Price: \$60.00

(C). E.TYPE MOTOR NOSE CONE

Fits U Type contra and prophy angles

6 month warranty

Autoclavable

4:1 Ratio

Part Number: EMOTORNC

Price: \$135.00

X-Cel High Precision Dental Handpiece



The X-Cel slowspeed handpiece is manufactured in the USA.

Fully autoclavable/chemiclavable

Accepts "U"-style contra angles (latch and friction grip), Disposal or metal prophy angles and straight handpiece burs.

High torque at low air pressure at 45p.s.i.

Reversible 0-5000 RPM motor

Part Number: QDSC2000PERF

Price: \$285.00

